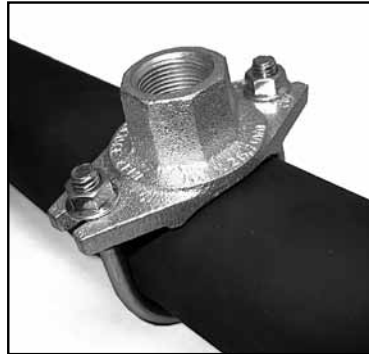


# FIG. MT-90 Threaded Mechanical Branch Tee



The MT-90 mechanical tee serves the same function as the MT-1 and MT-8, but uses a steel electro-plated u-bolt to save space for easier installation in tight places. The MT-90 is ideal for direct connections with sprinkler heads and drop nipples.

For the latest UL/ULC listed, LPCB, VdS and FM Approved pressure ratings versus pipe schedule, see [www.anvilintl.com](http://www.anvilintl.com) or contact your local Anvil Representative.



For Listings/Approval Details and Limitations, visit our website at [www.anvilintl.com](http://www.anvilintl.com) or contact an Anvil® Sales Representative.

## MATERIAL SPECIFICATIONS

### HOUSING:

Ductile Iron conforming to ASTM A-536, Grade 65-45-12

### U-BOLT & NUTS:

U-bolt is carbon steel SAE J429 Gr. 2, zinc plated complete with hex flanged lock nuts conforming to ASTM A-563 Gr. A or B of SAE J995 Gr. 2.

### THREADS:

BSPT pipe thread

### COATINGS:

- Zinc Electroplated
- Other available options: Example: RAL3000 or RAL9000 Series

### GASKETS: Materials

Properties as designated in accordance with ASTM D-2000.

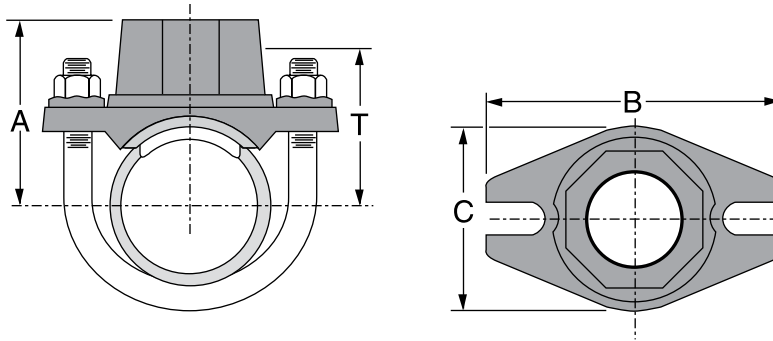
- Grade "E" EPDM (Green color code)  
-40°F to 230°F (Service Temperature Range)(-40°C to 110°C)  
Recommended for water service, diluted acids, alkalies solutions, oil-free air and many chemical services not involving hydrocarbons, oils or gases.  
NOT FOR USE WITH HYDROCARBONS.

## PROJECT INFORMATION

## APPROVAL STAMP

Project:	<input type="checkbox"/> Approved
Address:	<input type="checkbox"/> Approved as noted
Contractor:	<input type="checkbox"/> Not approved
Engineer:	Remarks:
Submittal Date:	
Notes 1:	
Notes 2:	

# FIG. MT-90 Threaded Mechanical Branch Tee



## MT-90 BSP THREADED MECHANICAL BRANCH TEE

Nominal Size	Pipe O.D.	Hole Dimensions		Max. Working Pressure ▲	Dimensions				Approx. Wt. Ea.
		Min. Diameter	Max. Diameter		A	B	C	T Take-out	
In./DN(mm)	In./mm	In./mm	In./mm	PSI/bar	In./mm	In./mm	In./mm	In./mm	Lbs./Kg
1¼ x ½ 32 x 12	1.660 x 0.840 42.4 x 21.3	1⅜ 30	1⅝ 33	300 20.7	2⅞ 54	3½ 89	2¼ 57.2	1⅝ 42	0.8 0.4
1¼ x ¾ 32 x 19	1.660 x 1.050 42.4 x 26.7	1⅜ 30	1⅝ 33	300 20.7	2⅞ 54	3½ 89	2¼ 57.2	1⅝ 42	0.8 0.4
1¼ x 1 32 x 25	1.660 x 1.315 42.4 x 33.7	1⅜ 30	1⅝ 33	300 20.7	2¼ 58	3½ 89	2¼ 57.2	1⅝ 41	1.1 0.5
1½ x ½ 40 x 12	1.900 x 0.840 48.3 x 21.3	1⅜ 30	1⅝ 33	300 20.7	2¼ 57	3½ 89	2¼ 57.2	1¾ 48	0.8 0.4
1½ x ¾ 40 x 19	1.900 x 1.050 48.3 x 26.7	1⅜ 30	1⅝ 33	300 20.7	2¼ 57	3½ 89	2¼ 57.2	1¾ 48	0.9 0.4
1½ x 1 40 x 25	1.900 x 1.315 48.3 x 33.7	1⅜ 30	1⅝ 33	300 20.7	2¾ 61	3½ 89	2¼ 57.2	1¾ 48	1.1 0.5
2 x ½ 50 x 12	2.375 x 0.840 60.3 x 21.3	1⅜ 30	1⅝ 33	300 20.7	2½ 64	3¾ 95	2¼ 57.2	2 51	0.9 0.4
2 x ¾ 50 x 19	2.375 x 1.050 60.3 x 26.7	1⅜ 30	1⅝ 33	300 20.7	2½ 64	3¾ 95	2¼ 57.2	2 51	0.9 0.4
2 x 1 50 x 25	2.375 x 1.315 60.3 x 33.7	1⅜ 30	1⅝ 33	300 20.7	2⅝ 67	3¾ 95	2¼ 57.2	2 50	1.1 0.5
3 O.D. x ½ 76.1 x 12	2.996 x 0.840 76.1 x 21.3	1⅜ 30	1⅝ 33	300 20.7	2⅞ 73	4¼ 108	2¼ 57.2	2⅝ 59	0.9 0.4
3 O.D. x ¾ 76.1 x 19	2.996 x 1.050 76.1 x 26.7	1⅜ 30	1⅝ 33	300 20.7	2⅞ 73	4¼ 108	2¼ 57.2	2⅝ 59	0.9 0.4
3 O.D. x 1 76.1 x 25	2.996 x 1.315 76.1 x 33.7	1⅜ 30	1⅝ 33	300 20.7	3 76	4¼ 108	2¼ 57.2	2¼ 58	1.1 0.5

▲ – Working Pressure Ratings are for reference only and based on Sch. 40 pipe. For the latest UL/ULC, FM, VdS and LPCB pressure ratings versus pipe schedule, please visit [anvilintl.com](http://anvilintl.com) or contact your local Anvil Representative.

**Note:** Tighten nuts alternately to a recommended torque of 18-22 ft.-lbs. (25-30 Nm) on pipe wall less than schedule 10 (Din 2440) or 23-27 ft.-lbs. (31-37 Nm) on pipe walls schedule 10 (DIN 2440) and above.



**For dry pipe systems and freezer applications lubrication of the gasket is required, Gruvlok® Xtreme™ Lubricant is required.**