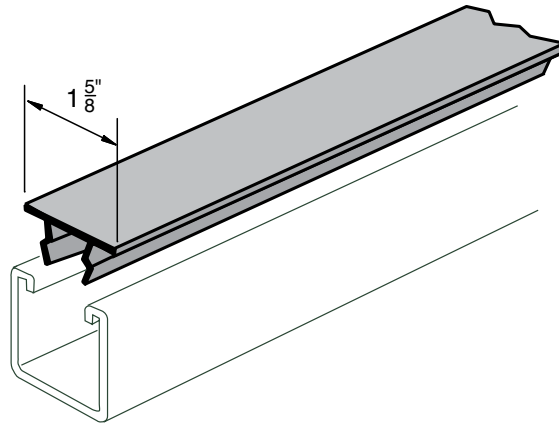


AS 6151

PL

PLASTIC CLOSURE STRIP



MATERIAL: High impact polystyrene plastic. Stocked in black, white and green 10' lengths. Use with all 1 5/8" channel and inserts.

Std Pkg 100 - Wt/100 pcs: 31 Lbs.

LEGEND:

GR: Powder Coated Supr-Green EG: Electro-Galvanized PG: Pre-Galvanized AL: Aluminum HG: Hot Dipped Galvanized PL: Plain SS: Stainless Steel ZTC: Zinc Trivalent Chromium

| PROJECT INFORMATION | | APPROVAL STAMP |
|---------------------|--|--|
| Project: | | <input type="checkbox"/> Approved |
| Address: | | <input type="checkbox"/> Approved as noted |
| Contractor: | | <input type="checkbox"/> Not approved |
| Engineer: | | Remarks: |
| Submittal Date: | | |
| Notes 1: | | |
| Notes 2: | | |