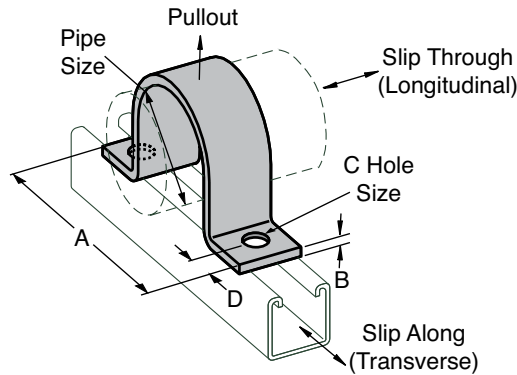


AS 3126

EG

HOLD DOWN CLAMP



Pipe Size	A	B	C	D	Std Pkg	Wt./100 Pcs.	Load Rating
1/2"	2 ⁷ / ₈ "	1/8"	9/32"	7/16"	50	23	500
3/4"	3 ¹ / ₁₆ "	1/8"	9/32"	7/16"	50	26	500
1"	3 ¹ / ₃₂ "	1/8"	9/32"	7/16"	25	31	500
1 1/4"	3 ¹ / ₁₆ "	1/8"	9/32"	7/16"	25	35	500
1 1/2"	3 ²⁹ / ₃₂ "	1/8"	9/32"	7/16"	25	39	500
2"	5 ²¹ / ₃₂ "	1/4"	13/32"	13/16"	25	94	1,000
2 1/2"	6 ⁵ / ₃₂ "	1/4"	13/32"	13/16"	25	114	1,000
3"	6 ²⁵ / ₃₂ "	1/4"	13/32"	13/16"	25	133	1,000
3 1/2"	7 ⁹ / ₃₂ "	1/4"	13/32"	13/16"	10	152	1,000
4"	7 ²⁵ / ₃₂ "	1/4"	13/32"	13/16"	Bulk	176	1,000
5"	7 ²⁷ / ₃₂ "	1/4"	13/32"	13/16"	Bulk	198	1,000
6"	9 ²⁹ / ₃₂ "	1/4"	13/32"	13/16"	Bulk	225	1,000

Nominal Pipe Size	Design Loads *		
	Slip Thru (lbs)	Slip Along (lbs)	Pullout (lbs)
1/2"	425	479	811
3/4"	184	405	850
1"	168	455	769
1 1/4"	402	401	830
1 1/2"	315	532	876
2"	553	1,728	2,133
2 1/2"	408	1,615	2,280
3"	900	1,494	2,295
3 1/2"	646	1,516	2,273
4"	834	1,463	2,324
5"	564	1,097	2,324
6"	494	899	2,250

* Safety Factor 3.0

Std Pkg & Wt./100 pcs: See chart above.

LEGEND:

GR: Powder Coated Supr-Green EG: Electro-Galvanized PG: Pre-Galvanized AL: Aluminum HG: Hot Dipped Galvanized PL: Plain SS: Stainless Steel ZTC: Zinc Trivalent Chromium
Stainless Steel (SS), Zinc Trivalent Chromium (ZTC) and Hot Dipped Galvanized (HG) are specialty finishes. Pricing is located in the Specialty Strut Section of the Anvil-Strut price book.

PROJECT INFORMATION		APPROVAL STAMP	
Project:		<input type="checkbox"/> Approved	
Address:		<input type="checkbox"/> Approved as noted	
Contractor:		<input type="checkbox"/> Not approved	
Engineer:		Remarks:	
Submittal Date:			
Notes 1:			
Notes 2:			