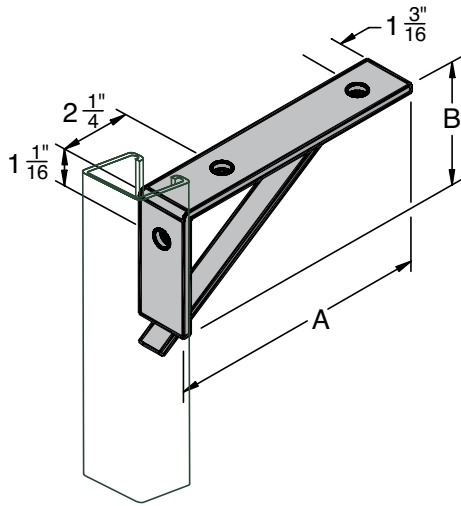


AS 732

GR

SHELF BRACKET



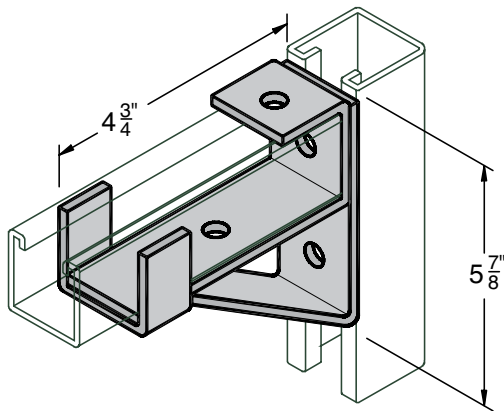
Size	A	B	Uniform Load*	Wt./100 Pcs.
8"	8½"	4"	800	168
10"	10½"	4"	800	202
12"	12½"	6"	900	258
14"	14½"	6"	900	292
16"	16½"	6"	1,200	381
18"	18½"	6"	1,200	416
20"	20½"	6"	1,000	461

Std Pkg Bulk - Wt./100 pcs: See chart above.

AS 708

EG, GR

SINGLE CHANNEL BRACKET SUPPORT



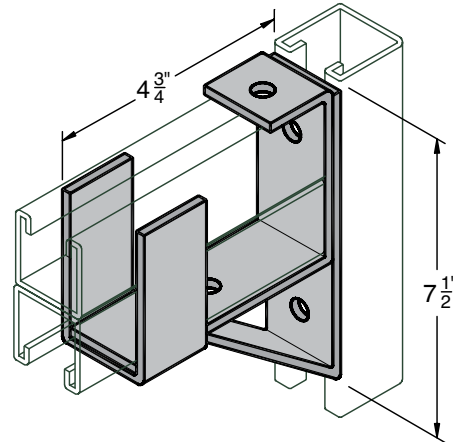
Use with AS 200 and AS 210

Std Pkg 20 - Wt./100 pcs: 230 Lbs.

AS 3164

EG, GR

DOUBLE CHANNEL BRACKET SUPPORT



Use with AS 200 BTB and AS 210 BTB

Std Pkg 10 - Wt./100 pcs: 275 Lbs.

LEGEND:

GR: Powder Coated Supr-Green **EG:** Electro-Galvanized **PG:** Pre-Galvanized **AL:** Aluminum **HG:** Hot Dipped Galvanized **PL:** Plain **SS:** Stainless Steel **ZTC:** Zinc Trivalent Chromium
Stainless Steel (**SS**), Zinc Trivalent Chromium (**ZTC**) and Hot Dipped Galvanized (**HG**) are specialty finishes. Pricing is located in the Specialty Strut Section of the Anvil-Strut price book.

PROJECT INFORMATION

APPROVAL STAMP

Project:	<input type="checkbox"/> Approved
Address:	<input type="checkbox"/> Approved as noted
Contractor:	<input type="checkbox"/> Not approved
Engineer:	Remarks:
Submittal Date:	
Notes 1:	
Notes 2:	