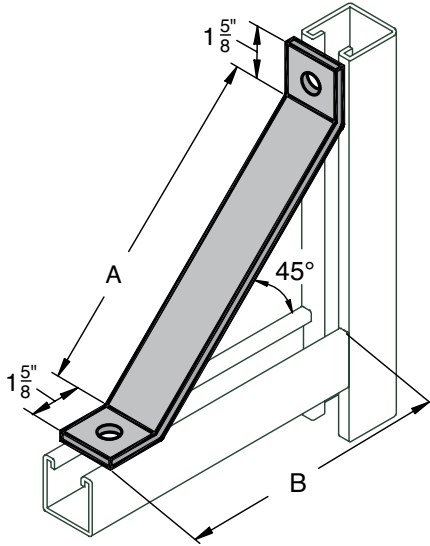


AS 926 EG, GR

STRUT BRACE

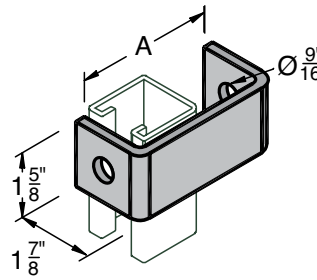


A	B	Std. Pkg.	Wt./100 Pcs.
24"	-	Bulk	280
16 ⁵ / ₈ "	13 ⁵ / ₈ "	10	232
12"	10 ¹ / ₈ "	15	175

Std Pkg & Wt./100 pcs: See chart above.

AS 993 EG, GR

INSIDE CLEVIS



A	Std. Pkg.	Wt./100 Pcs.
4"	25	89
5"	25	93
6"	25	106
7"	25	118
8"	20	132

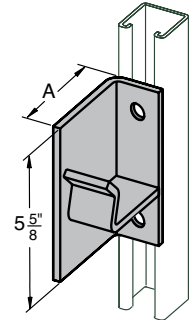
Std Pkg & Wt./100 pcs: See chart above.

AS 825 EG, GR

RH & LH PIPE AXLE SUPPORT

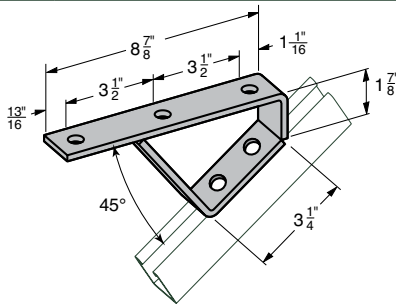
Catalog No.	A	Wt./100 Pcs.
AS 825LH	3 ⁵ / ₈ "	220
AS 825RH	3 ⁵ / ₈ "	220

Std Pkg 10 - Wt./100 pcs: See chart above.



AS 2421 GR, HG

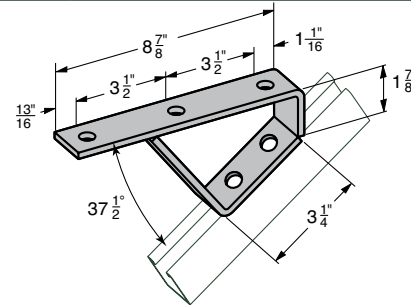
45° STAIR SUPPORT



Std Pkg 20 - Wt./100 pcs: 220 Lbs.

AS 2422 GR, HG

37 1/2° STAIR SUPPORT



Std Pkg 25 - Wt./100 pcs: 206 Lbs.

Page notes unless otherwise specified: 1/4" thick, 1 5/8" wide, holes 9/16" diameter, spaced 1 7/8" on center and 1 3/16" from end.

LEGEND:

GR: Powder Coated Supr-Green EG: Electro-Galvanized PG: Pre-Galvanized AL: Aluminum HG: Hot Dipped Galvanized PL: Plain SS: Stainless Steel ZTC: Zinc Trivalent Chromium
Stainless Steel (SS), Zinc Trivalent Chromium (ZTC) and Hot Dipped Galvanized (HG) are specialty finishes. Pricing is located in the Specialty Strut Section of the Anvil-Strut price book.

PROJECT INFORMATION		APPROVAL STAMP	
Project:		<input type="checkbox"/> Approved	
Address:		<input type="checkbox"/> Approved as noted	
Contractor:		<input type="checkbox"/> Not approved	
Engineer:		Remarks:	
Submittal Date:			
Notes 1:			
Notes 2:			