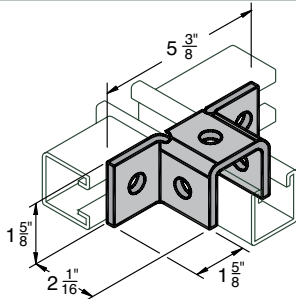


AS 923     EG,  GR,  ZTC

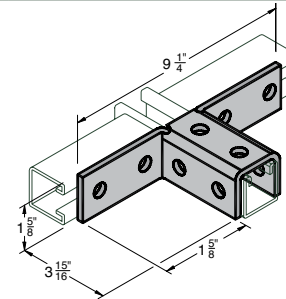
**5-HOLE TWO ANGLE CONNECTOR**



Std Pkg 25 - Wt/100 pcs: 93 Lbs.

AS 913     EG,  GR,  ZTC

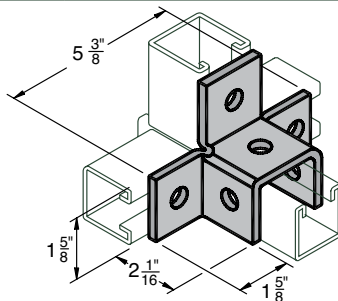
**10-HOLE TWO ANGLE CLEVIS CONNECTOR**



Std Pkg 10 - Wt/100 pcs: 193 Lbs.

AS 668     EG,  GR,  ZTC

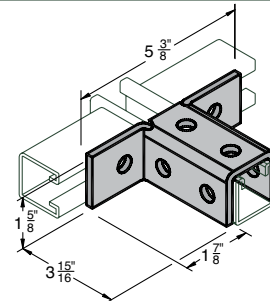
**6-HOLE THREE ANGLE CONNECTOR**



Std Pkg 10 - Wt/100 pcs: 113 Lbs.

AS 821     EG,  GR,  ZTC

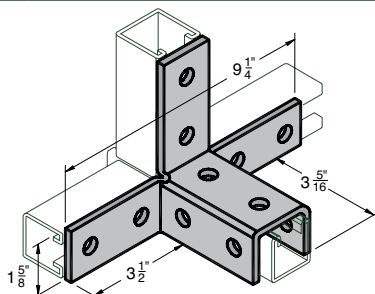
**8-HOLE DOUBLE ANGLE CONNECTOR**



Std Pkg 10 - Wt/100 pcs: 113 Lbs.

AS 669     EG,  GR,  ZTC

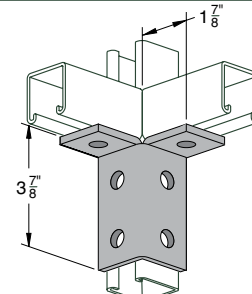
**12-HOLE THREE ANGLE CLEVIS CONNECTOR**



Std Pkg: 10 - Wt/100 pcs: 230 Lbs.

AS 666     EG,  GR,  ZTC

**6-HOLE DOUBLE CORNER CONNECTOR**



Std Pkg 25 - Wt/100 pcs: 115 Lbs.

Page notes unless otherwise specified: 1/4" thick, 1 5/8" wide, holes 9/16" diameter, spaced 1 7/8" on center and 1 3/16" from end.

**LEGEND:**

GR: Powder Coated Supr-Green EG: Electro-Galvanized PG: Pre-Galvanized AL: Aluminum HG: Hot Dipped Galvanized PL: Plain SS: Stainless Steel ZTC: Zinc Trivalent Chromium  
Stainless Steel (SS), Zinc Trivalent Chromium (ZTC) and Hot Dipped Galvanized (HG) are specialty finishes. Pricing is located in the Specialty Strut Section of the Anvil-Strut price book.

PROJECT INFORMATION		APPROVAL STAMP
Project:		<input type="checkbox"/> Approved
Address:		<input type="checkbox"/> Approved as noted
Contractor:		<input type="checkbox"/> Not approved
Engineer:		Remarks:
Submittal Date:		
Notes 1:		
Notes 2:		