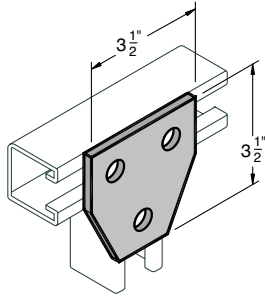


AS 925     EG,  GR

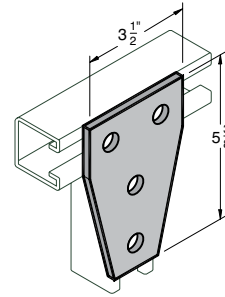
### SYMMETRICAL 3-HOLE JOINT CONNECTOR



Std Pkg 25 - Wt/100 pcs: 70 Lbs.

AS 747     EG,  GR

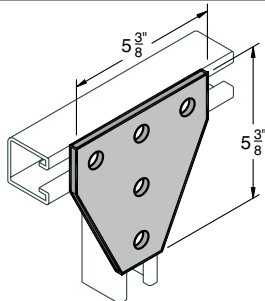
### SYMMETRICAL 4-HOLE CONNECTOR



Std Pkg 20 - Wt/100 pcs: 100 Lbs.

AS 854     EG,  GR

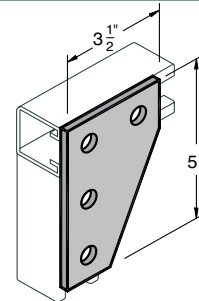
### 5-HOLE FLAT CONNECTOR



Std Pkg 25 - Wt/100 pcs: 146 Lbs.

AS 750     EG,  GR

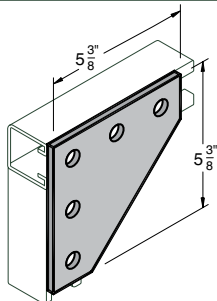
### 4-HOLE CORNER CONNECTOR



Std Pkg 20 - Wt/100 pcs: 101 Lbs.

AS 2190     EG,  GR

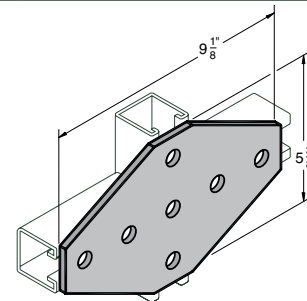
### FLAT CORNER CONNECTOR



Std Pkg 20 - Wt/100 pcs: 146 Lbs.

AS 2112     EG,  GR

### 7-HOLE CROSS CONNECTOR



Std Pkg 10 - Wt/100 pcs: 236 Lbs.

**Page notes unless otherwise specified:** 1/4" thick, 1 5/8" wide, holes 9/16" diameter, spaced 1 7/8" on center and 1 3/16" from end.

**LEGEND:**

**GR:** Powder Coated Supr-Green    **EG:** Electro-Galvanized    **PG:** Pre-Galvanized    **AL:** Aluminum    **HG:** Hot Dipped Galvanized    **PL:** Plain    **SS:** Stainless Steel    **ZTC:** Zinc Trivalent Chromium  
Stainless Steel (**SS**), Zinc Trivalent Chromium (**ZTC**) and Hot Dipped Galvanized (**HG**) are specialty finishes. Pricing is located in the Specialty Strut Section of the Anvil-Strut price book.

PROJECT INFORMATION		APPROVAL STAMP	
Project:		<input type="checkbox"/> Approved	
Address:		<input type="checkbox"/> Approved as noted	
Contractor:		<input type="checkbox"/> Not approved	
Engineer:		Remarks:	
Submittal Date:			
Notes 1:			
Notes 2:			