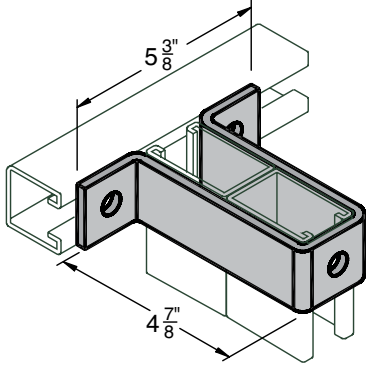


AS 678 EG, GR

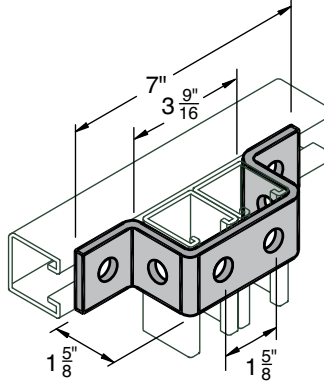
"U" SUPPORT



Use with AS 150 BTB
Std Pkg 10 - Wt./100 pcs: 157 Lbs.

AS 721 EG, GR

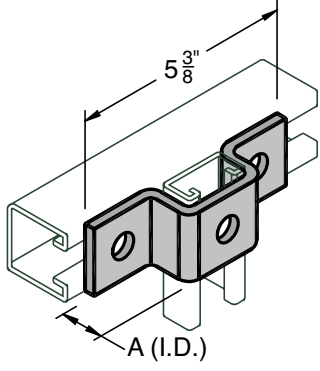
"U" SUPPORT



Use with AS 100, AS 200 BTB, AS 210 BTB
Std Pkg 25 - Wt./100 pcs: 105 Lbs.

"U" SUPPORT

<input type="checkbox"/> AS 613	<input type="checkbox"/> EG, <input type="checkbox"/> GR, <input type="checkbox"/> ZTC
<input type="checkbox"/> AS 679	<input type="checkbox"/> EG, <input type="checkbox"/> GR, <input type="checkbox"/> ZTC
<input type="checkbox"/> AS 710	<input type="checkbox"/> EG, <input type="checkbox"/> GR
<input type="checkbox"/> AS 929	<input type="checkbox"/> EG, <input type="checkbox"/> GR, <input type="checkbox"/> ZTC
<input type="checkbox"/> AS 978	<input type="checkbox"/> EG, <input type="checkbox"/> GR
<input type="checkbox"/> AS 2119	<input type="checkbox"/> EG, <input type="checkbox"/> GR
<input type="checkbox"/> AS 2648	<input type="checkbox"/> EG, <input type="checkbox"/> GR



Catalog No.	A	Wt./100 Pcs.	Use With
AS 929	13/16"	70	AS 500 & AS 520
AS 978	1"	75	AS 400
AS 710	1 3/8"	84	AS 300
AS 613	1 5/8"	85	AS 500 BTB, AS 200, & AS 210
AS 2119	1 5/8"	95	AS 200 & AS 210
AS 2648	2 7/16"	108	AS 150
AS 679	3 1/4"	126	AS 100, AS 200 BTB, & AS 210 BTB

Std Pkg 25 - Wt./100 pcs: See chart above.

Page notes unless otherwise specified: 1/4" thick, 1 5/8" wide, holes 9/16" diameter, spaced 1 7/8" on center and 1 3/16" from end.

LEGEND:

GR: Powder Coated Supr-Green EG: Electro-Galvanized PG: Pre-Galvanized AL: Aluminum HG: Hot Dipped Galvanized PL: Plain SS: Stainless Steel ZTC: Zinc Trivalent Chromium
Stainless Steel (SS), Zinc Trivalent Chromium (ZTC) and Hot Dipped Galvanized (HG) are specialty finishes. Pricing is located in the Specialty Strut Section of the Anvil-Strut price book.

PROJECT INFORMATION		APPROVAL STAMP
Project:		<input type="checkbox"/> Approved
Address:		<input type="checkbox"/> Approved as noted
Contractor:		<input type="checkbox"/> Not approved
Engineer:		Remarks:
Submittal Date:		
Notes 1:		
Notes 2:		