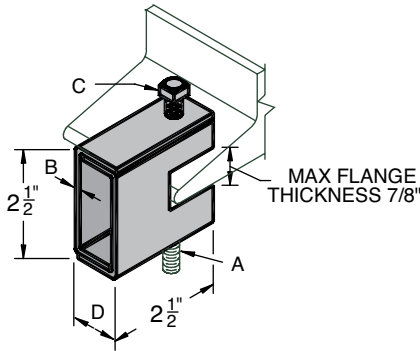


AS 858 EG

HEAVY DUTY SUSPENSION ROD BEAM CLAMP



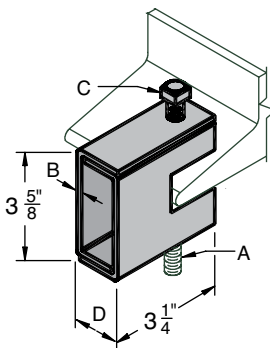
A	B	C	D	Wt./100 Pcs.	Design Load
1/4"-20	1/8"	3/8" x 1 1/2"	7/8"	67	650
5/16"-18	1/8"	3/8" x 1 1/2"	7/8"	67	650
3/8"-16	3/16"	1/2" x 1 1/2"	15/16"	100	1100
1/2"-13	1/4"	1/2" x 1 1/2"	15/16"	100	1600
5/8"-11	5/16"	5/8" x 1 1/2"	1 5/16"	160	2400
3/4"-10	5/16"	5/8" x 1 1/2"	1 5/16"	160	2400

Set Screw included

Std Pkg 10 - Wt./100 pcs: See chart above.

AS 865 EG

WIDE THROAT HEAVY DUTY BEAM CLAMP



A	B	C	D	Wt./100 Pcs.	Design Load
1/4"-20	1/8"	3/8" x 2"	1 21/32"	109	800
3/8"-16	3/16"	1/2" x 2"	1 11/16"	156	1300
1/2"-13	1/4"	1/2" x 2"	1 11/16"	201	1900

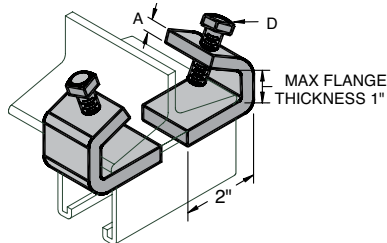
For beams between 3/4" to 1 1/8" thick flanges.

Set Screw included

Std Pkg 10 - Wt./100 pcs: See chart above.

AS 907, AS 998 EG, GR(AS 907 Only)

1" BEAM CLAMP



Catalog No.	A	Flange Thickness	D	Std. Pkg.	Wt./100 Pcs.
AS 907	1/4"	Up to 3/4"	3/8" - 16 x 1 1/2"	50	41
AS 998	3/8"	Up to 3/4"	1/2" - 13 x 1 1/2"	25	62

Set Screw included

Std Pkg & Wt./100 pcs: See chart above.

LEGEND:

GR: Powder Coated Supr-Green EG: Electro-Galvanized PG: Pre-Galvanized AL: Aluminum HG: Hot Dipped Galvanized PL: Plain SS: Stainless Steel ZTC: Zinc Trivalent Chromium
 Stainless Steel (SS), Zinc Trivalent Chromium (ZTC) and Hot Dipped Galvanized (HG) are specialty finishes. Pricing is located in the Specialty Strut Section of the Anvil-Strut price book.

PROJECT INFORMATION		APPROVAL STAMP	
Project:		<input type="checkbox"/> Approved	
Address:		<input type="checkbox"/> Approved as noted	
Contractor:		<input type="checkbox"/> Not approved	
Engineer:		Remarks:	
Submittal Date:			
Notes 1:			
Notes 2:			