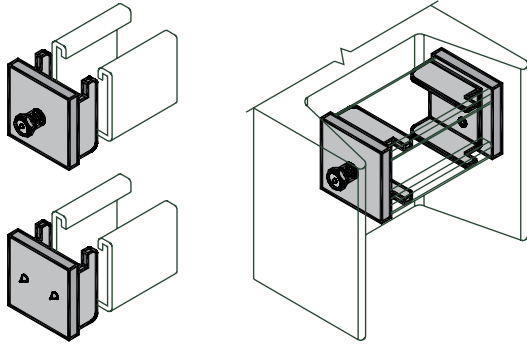


AS 2654, AS 2654 A EG, GR

COLUMN ATTACHMENT



Catalog No.	Use With	Wt./100 Pcs.
AS 2654	AS 200	53 (pair)
AS 2654 A	AS 500	53 (pair)

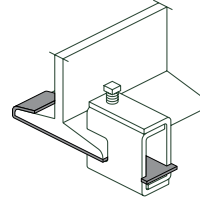
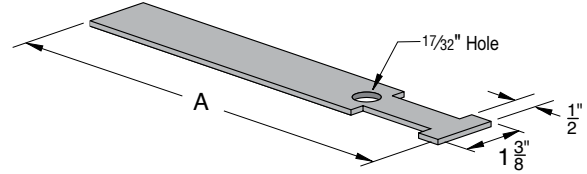
Sold only in pairs

Std Pkg 25 - Wt/100 pcs: See chart above.

AS 871 EG

SAFETY ANCHOR STRAP

(For Heavy Duty Beam Clamps.) Use with AS 858, AS 865
(Cannot Be Used With $\frac{5}{8}$ " Rod Size Beam Clamps and Larger).

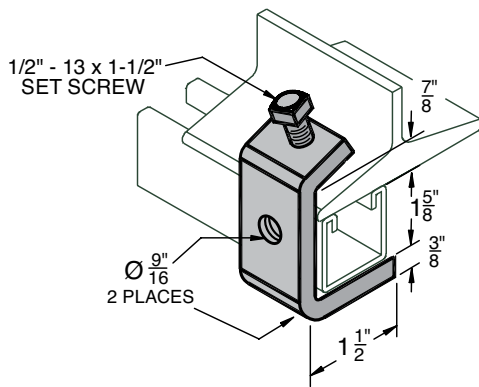


A	Wt/100 pcs
9"	33
12"	48
15"	57

Std Pkg: Bulk · Wt/100 pcs: See chart above.

AS 684 EG, GR

BEAM CLAMP



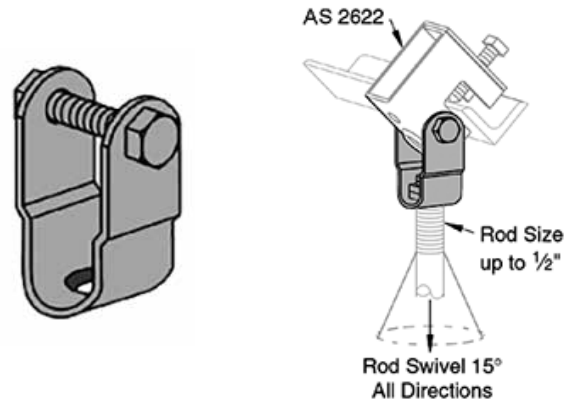
Set Screw included

Std Pkg 25 - Wt/100 pcs: 92 Lbs.

AS 2623 EG

SWIVEL ADAPTER

Use With AS 2622 Beam Clamp.



Std Pkg: 50 · Wt/100 pcs: 31 lbs.

LEGEND:

GR: Powder Coated Supr-Green EG: Electro-Galvanized PG: Pre-Galvanized AL: Aluminum HG: Hot Dipped Galvanized PL: Plain SS: Stainless Steel ZTC: Zinc Trivalent Chromium
Stainless Steel (SS), Zinc Trivalent Chromium (ZTC) and Hot Dipped Galvanized (HG) are specialty finishes. Pricing is located in the Specialty Strut Section of the Anvil-Strut price book.

PROJECT INFORMATION		APPROVAL STAMP	
Project:		<input type="checkbox"/> Approved	
Address:		<input type="checkbox"/> Approved as noted	
Contractor:		<input type="checkbox"/> Not approved	
Engineer:		Remarks:	
Submittal Date:			
Notes 1:			
Notes 2:			