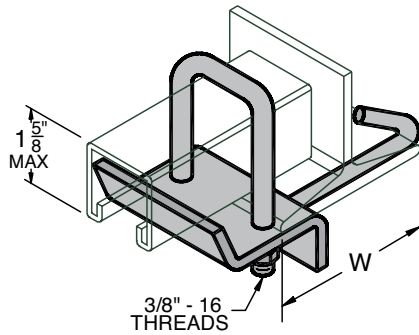


AS 2656 EG

“U” BOLT BEAM CLAMP WITH HOOK



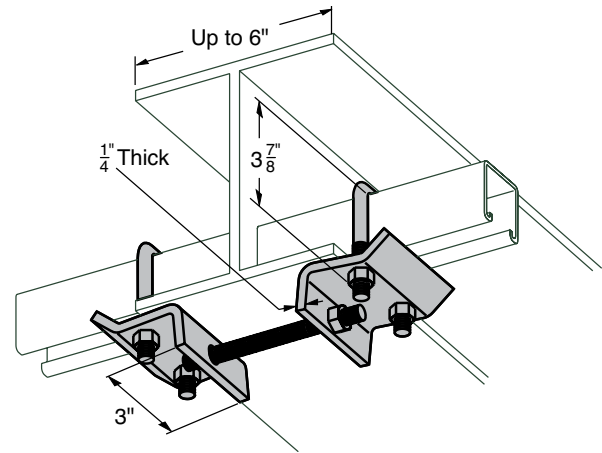
Catalog No.	Std. Pkg.	Wt./100 Pcs.
AS 2656 T1 6	10	130
AS 2656 T1 12	10	142
AS 2656 T2 6	10	141
AS 2656 T2 12	10	153

Specify 6" or 12" flange width
 T1 Use with AS 200, AS 210, AS 300, AS 400, AS 500, AS 520
 T2 Use with AS 100, AS 150, AS 200 BTB

Std Pkg & Wt./100 pcs: See chart above.

 AS 2657 EG

DOUBLE “U” BOLT BEAM CLAMP



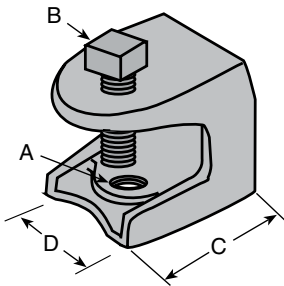
Catalog No.	Std. Pkg.	Wt./100 Pcs.
AS 2657 T1 6	10	204
AS 2657 T1 12	10	210
AS 2657 T2 6	10	226
AS 2657 T2 12	10	232

Specify 6" or 12" flange width
 T1 Use with AS 200, AS 210, AS 300, AS 400, AS 500, AS 520
 T2 Use with AS 100, AS 150, AS 200 BTB

Std Pkg & Wt./100 pcs: See chart above.

 AS 85 EG

ROD OR INSULATOR SUPPORT



Rod Size A	Set Screw B	C	D	Load Lbs.	Std. Pkg.	Wt./100 Pcs.
1/4-20	5/16-18	1 3/8"	1 3/16"	150	50	24
3/8-16	1/2-13	1 7/8"	1 3/16"	350	25	65
1/2-13	1/2-13	2 3/8"	2 1/2"	1000	25	130

Material: Malleable Iron
 Application: Rod support for beams with a flange thickness of 1/2" max.
 Ordering: Specify part number and rod size

Std Pkg & Wt./100 pcs: See chart above.

LEGEND:

GR: Powder Coated Supr-Green EG: Electro-Galvanized PG: Pre-Galvanized AL: Aluminum HG: Hot Dipped Galvanized PL: Plain SS: Stainless Steel ZTC: Zinc Trivalent Chromium
 Stainless Steel (SS), Zinc Trivalent Chromium (ZTC) and Hot Dipped Galvanized (HG) are specialty finishes. Pricing is located in the Specialty Strut Section of the Anvil-Strut price book.

PROJECT INFORMATION		APPROVAL STAMP	
Project:		<input type="checkbox"/> Approved	
Address:		<input type="checkbox"/> Approved as noted	
Contractor:		<input type="checkbox"/> Not approved	
Engineer:		Remarks:	
Submittal Date:			
Notes 1:			
Notes 2:			