

## Fig. 277: with Cast Iron Base Plate

## Pipe Roll and Base Plate

**Size Range:** 2" through 24"

**Material:** Cast iron roll and plate

**Finish:**  Plain,  Zinc Plated (Hot-Dip Galvanized optional) or  Resilient Coated

**Service:** For support of pipe where small longitudinal movement due to expansion and contraction may occur and where no vertical adjustment is required.

**Maximum Temperature:** 400° F at roller, 300° F at resilient coated roller.

**Approvals:** Complies with Federal Specification A-A-1192A (Type 45), WW-H-171-E (Type 46), ANSI/MSS SP-69 and MSS SP-58 (Type 45).

**Installation:** Consist of sitting the unit in place. Weight of pipe and material hold unit in place.

**How to size:**

- (1) If roll is to support bare pipe, select the size directly from nominal pipe size (see below).
- (2) If used with pipe covering protection saddle, see Figure 160 to Figure 166A for size of pipe roll.

**Features:** An economical, practical means of supporting pipe with limited horizontal movement due to expansion and contraction.

**Features:** Advantages of pipe rollers with a protective resilient coated covering.

- Non conductive pipe rollers - prevent the passing of current from pipeline to structure.
- Corrosion resistant - for protection against severe weather conditions, moderate corrosive conditions such as marine atmospheres and weather resistant to ultra-violet radiation.
- Low coefficient of friction between pipe and resilient coated pipe roller.

**Ordering:** Specify pipe roll size, figure number, name and finish. Be certain to order oversized rolls when insulation and protection saddles are required.

**Note:** Fabricated carbon steel base plates for extended travel are available upon request.

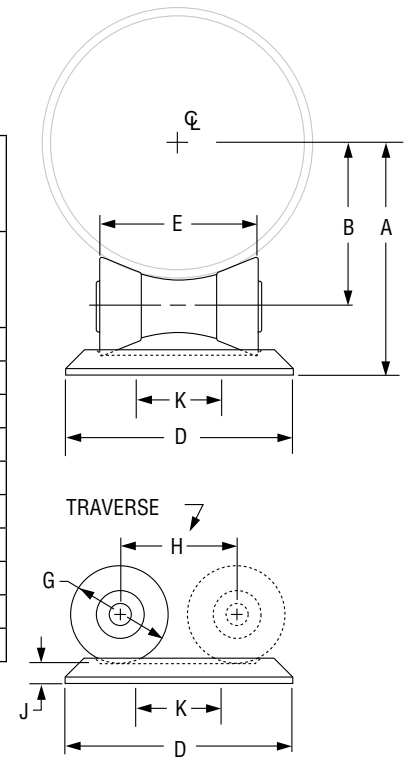
Refer to Fig. 75 SD and 76 SD for additional pipe roll designs.



**FIG. 277: LOADS (LBS) • WEIGHT (LBS) • DIMENSIONS (IN)**

Pipe Size	Max Load	Wgt.	A	B	D	E	G	H	J	K
2	390	4.0	3 <sup>1</sup> / <sub>4</sub>	1 <sup>3</sup> / <sub>4</sub>	4 <sup>3</sup> / <sub>4</sub>	2 <sup>5</sup> / <sub>8</sub>	1 <sup>7</sup> / <sub>8</sub>	1 <sup>3</sup> / <sub>4</sub>	1/2	
2 <sup>1</sup> / <sub>2</sub>			3 <sup>1</sup> / <sub>2</sub>	2 <sup>1</sup> / <sub>8</sub>						
3			3 <sup>13</sup> / <sub>16</sub>	2 <sup>3</sup> / <sub>8</sub>						
3 <sup>1</sup> / <sub>2</sub>			4 <sup>1</sup> / <sub>16</sub>	2 <sup>5</sup> / <sub>8</sub>						
4	950	5.6	4 <sup>5</sup> / <sub>16</sub>	2 <sup>3</sup> / <sub>4</sub>	5 <sup>3</sup> / <sub>4</sub>	3 <sup>5</sup> / <sub>8</sub>	2 <sup>1</sup> / <sub>16</sub>	2 <sup>5</sup> / <sub>8</sub>	1/2	1 <sup>1</sup> / <sub>2</sub>
5			4 <sup>15</sup> / <sub>16</sub>	3 <sup>3</sup> / <sub>8</sub>						
6			5 <sup>1</sup> / <sub>2</sub>	4						
8			7 <sup>9</sup> / <sub>16</sub>	5 <sup>1</sup> / <sub>4</sub>						
10	2,100	15.3	8 <sup>11</sup> / <sub>16</sub>	6 <sup>3</sup> / <sub>8</sub>	8 <sup>1</sup> / <sub>4</sub>	5 <sup>5</sup> / <sub>8</sub>	3 <sup>1</sup> / <sub>4</sub>	4	1 <sup>1</sup> / <sub>16</sub>	2 <sup>1</sup> / <sub>2</sub>
12			10 <sup>1</sup> / <sub>4</sub>	7 <sup>1</sup> / <sub>2</sub>						
14			10 <sup>7</sup> / <sub>8</sub>	8 <sup>1</sup> / <sub>8</sub>						
16			12 <sup>3</sup> / <sub>8</sub>	9 <sup>3</sup> / <sub>8</sub>						
18	4,980	43.7	13 <sup>1</sup> / <sub>2</sub>	10 <sup>3</sup> / <sub>8</sub>	12	8 <sup>1</sup> / <sub>2</sub>	4 <sup>1</sup> / <sub>2</sub>	6 <sup>3</sup> / <sub>8</sub>	7 <sup>7</sup> / <sub>8</sub>	5
20			14 <sup>1</sup> / <sub>2</sub>	11 <sup>3</sup> / <sub>8</sub>						
24			16 <sup>5</sup> / <sub>8</sub>	13 <sup>3</sup> / <sub>8</sub>						
			13 <sup>1</sup> / <sub>4</sub>	9 <sup>1</sup> / <sub>2</sub>						
	6,100	51.5	13 <sup>1</sup> / <sub>4</sub>	9 <sup>1</sup> / <sub>2</sub>	4 <sup>7</sup> / <sub>16</sub>	7 <sup>5</sup> / <sub>8</sub>	1	5 <sup>3</sup> / <sub>4</sub>		

DI/CI ROLL SIZING	
DI/CI Pipe Size	Fig. 277 Roller Size
3	4
4	5
6	6
8	8
10	10
12	14
14	16
16	18
18	20
20	24



PROJECT INFORMATION		APPROVAL STAMP	
Project:		<input type="checkbox"/> Approved	
Address:		<input type="checkbox"/> Approved as noted	
Contractor:		<input type="checkbox"/> Not approved	
Engineer:		Remarks:	
Submittal Date:			
Notes 1:			
Notes 2:			