

## Fig. 258

## Pipe Saddle Support

**Size Range:** 4" through 36"

**Material:** Sizes 4" through 12" are Cast Iron. Sizes 14" through 36" are Carbon Steel.

Sizes 4" through 12" are available in Carbon Steel by special request only.

**Finish:**  Plain or  Zinc Plated (Hot-Dip Galvanized optional)

**Service:** Stanchion type support for **stationary** pipe.

**Approvals:** Complies with Federal Specification A-A-1192A (Type 36), WW-H-171-E (Type 36 & 37), ANSI/MSS SP-69 and MSS SP-58 (Type 36).

**Installation:** Slip saddle base into riser pipe.

**Ordering:** Specify size to be supported, figure number, name, finish and material.

**Order Separately:** Figure 63P Square Cut End Stanchion. Specify "H" and pipe size to be supported by Figure 258.



Fig. 258  
Fabricated Steel



Fig. 258  
Cast

FIG. 258: WEIGHTS (LBS) • DIMENSIONS (IN)						
Pipe Size	Weight	A	B	Width C	Max Load	
4	9.1	3	4 <sup>9</sup> / <sub>16</sub>	3 <sup>5</sup> / <sub>8</sub>	3,800	
5	10.8		4 <sup>13</sup> / <sub>16</sub>			
6	11.8		5 <sup>7</sup> / <sub>16</sub>			
8	14.3		6 <sup>15</sup> / <sub>16</sub>			
10	19.3		8 <sup>7</sup> / <sub>16</sub>			
12	23.1		9 <sup>15</sup> / <sub>16</sub>			
14	15.0	4	10 <sup>1</sup> / <sub>2</sub>	4	5,300	
16	16.0		11 <sup>1</sup> / <sub>2</sub>			
18	23.0		4	13 <sup>1</sup> / <sub>2</sub>	5	6,700
20	24.0			14 <sup>1</sup> / <sub>2</sub>		
22	26.0			15 <sup>1</sup> / <sub>2</sub>		
24	30.0			17 <sup>1</sup> / <sub>2</sub>		7,300
26	32.0	18 <sup>1</sup> / <sub>2</sub>				
30	41.0	20 <sup>5</sup> / <sub>8</sub>				
32	42.0	21 <sup>5</sup> / <sub>8</sub>	8 <sup>3</sup> / <sub>4</sub>			
36	46.0	23 <sup>5</sup> / <sub>8</sub>				

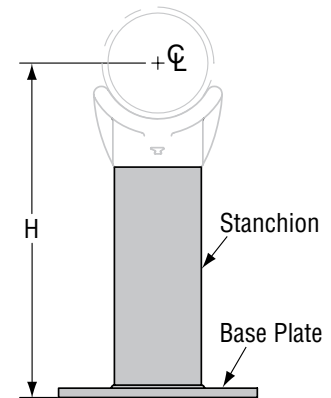
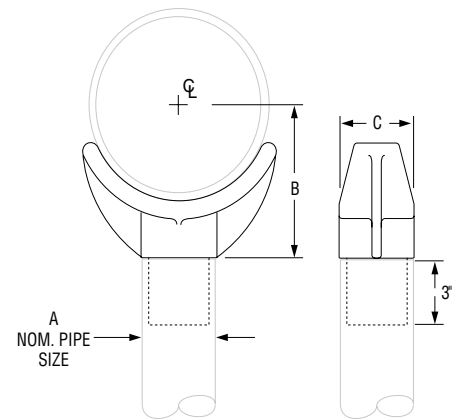


Fig. 63, Type P  
Square Cut End for use with Figure 258 or 259 Pipe Saddle Support

\*Standard Wall Pipe

The above load ratings are applicable to the saddle only and are not applicable to the stanchion or other means used to support the saddle.

PROJECT INFORMATION		APPROVAL STAMP	
Project:		<input type="checkbox"/> Approved	
Address:		<input type="checkbox"/> Approved as noted	
Contractor:		<input type="checkbox"/> Not approved	
Engineer:		Remarks:	
Submittal Date:			
Notes 1:			
Notes 2:			