

## Fig. 192

### Adjustable Pipe Saddle

**Size Range:** 2" through 12"

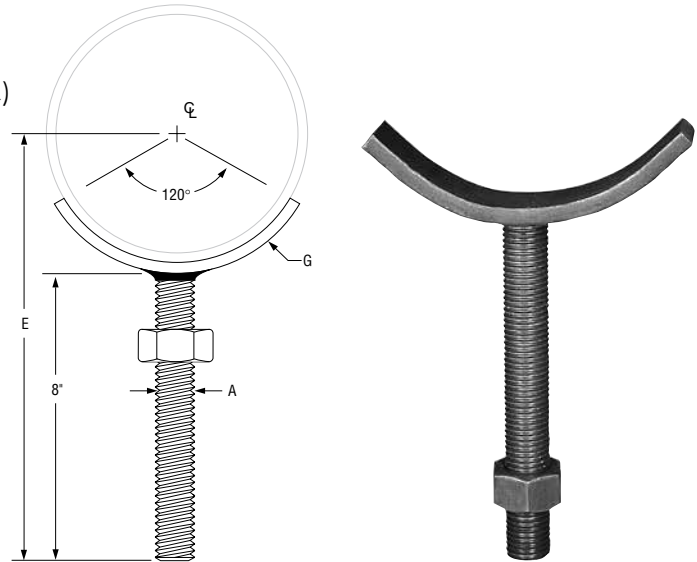
**Material:** Carbon steel

**Finish:**  Plain or  Zinc Plated (Hot-Dip Galvanized optional)

**Service:** Stanchion type support for **stationary** pipe where vertical adjustment is required.

**Approvals:** Complies with Federal Specification A-A-1192A (Type 38), ANSI/MSS SP-69 and MSS SP-58 (Type 38).

**Ordering:** Specify pipe size to be supported, figure number, name and finish.



**FIG. 192: WEIGHTS (LBS) • DIMENSIONS (IN)**

Pipe Size	Rod Size A	E	G	Weight
2	5/8	9 <sup>7</sup> / <sub>16</sub>	1/4 x 1	1.0
2 1/2		9 <sup>11</sup> / <sub>16</sub>		1.4
3		10		1.6
3 1/2		10 1/4		2.6
4	7/8	10 1/2	1/4 x 1 1/4	3.0
5		11		3.2
6	1	11 <sup>11</sup> / <sub>16</sub>	3/8 x 1 1/2	4.9
8		12 <sup>11</sup> / <sub>16</sub>		6.2
10	1 1/4	13 <sup>7</sup> / <sub>8</sub>	1/2 x 2	10.5
12		14 <sup>7</sup> / <sub>8</sub>		11.8

PROJECT INFORMATION		APPROVAL STAMP	
Project:		<input type="checkbox"/> Approved	
Address:		<input type="checkbox"/> Approved as noted	
Contractor:		<input type="checkbox"/> Not approved	
Engineer:		Remarks:	
Submittal Date:			
Notes 1:			
Notes 2:			