

Fig. 191

Adjustable Pipe Saddle with U-Bolt

Size Range: 2" through 12"

Material: Carbon steel

Finish: Plain or Zinc Plated (Hot-Dip Galvanized optional)

Service: Stanchion type support where vertical adjustment is required, plus the additional **stability** provided by U-bolt attachment to **stationary** pipe.

Approvals: Complies with Federal Specification A-A-1192A (Type 37), ANSI/MSS SP-69 and MSS SP-58 (Type 37).

Ordering: Specify pipe size, figure number, name and finish.

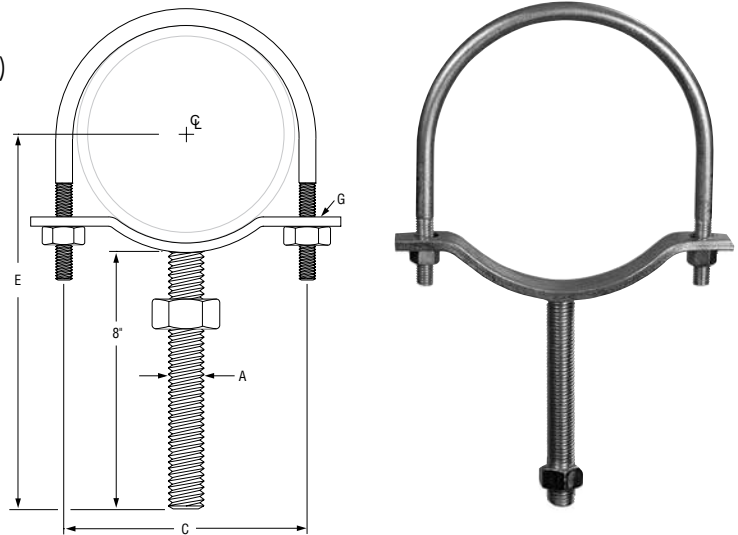


FIG. 191: WEIGHTS (LBS) • DIMENSIONS (IN)

Pipe Size	Rod Size A	C	E	G	Weight
2	5/8	2 ¹¹ / ₁₆	9 ⁷ / ₁₆	1/4 x 1	1.2
2 1/2		3 ⁵ / ₁₆	9 ¹¹ / ₁₆		1.4
3		3 ¹⁵ / ₁₆	10		1.6
3 1/2		4 ⁷ / ₁₆	10 1/4		2.6
4	7/8	5 1/4	10 1/2	1/4 x 1 1/4	3.0
5		6 5/8	11		3.2
6	1	7 1/4	11 ¹¹ / ₁₆	3/8 x 1 1/2	4.9
8		9 ³ / ₈	12 ¹¹ / ₁₆		6.2
10	1 1/4	11 1/2	13 ⁷ / ₈	1/2 x 2	10.5
12		13 1/2	14 ⁷ / ₈		11.8

PROJECT INFORMATION		APPROVAL STAMP	
Project:		<input type="checkbox"/> Approved	
Address:		<input type="checkbox"/> Approved as noted	
Contractor:		<input type="checkbox"/> Not approved	
Engineer:		Remarks:	
Submittal Date:			
Notes 1:			
Notes 2:			