

Fig. 114

Turnbuckle Adjuster

Size Range: 1/4" through 3/4"

Material: Malleable iron

Finish: Plain

Installation: Normally used with split pipe ring, Fig. 108, see page 30.

Approvals: Complies with Federal Specification A-A-1192A (Type 15), WW-H-171-E (Type 15), ANSI/MSS SP-69 and MSS SP-58 (Type 15).

Maximum Temperature: 450° F

Features:

- An economical and simple means of obtaining vertical adjustment and flexibility at the pipe connection.
- Permits adjustment after pipe is in place.

Ordering: Specify rod size, figure number and name.

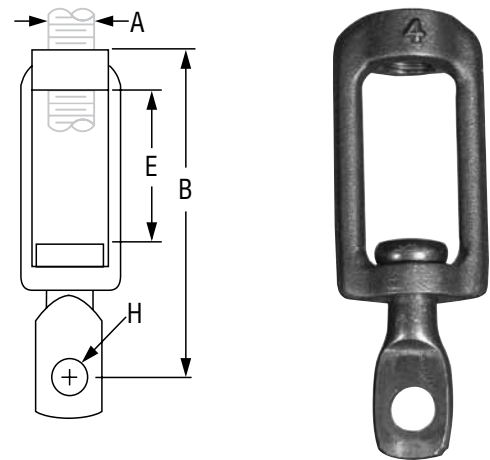


FIG. 114: LOADS (LBS) • WEIGHTS (LBS) • DIMENSIONS (IN)

Rod Size A	Max Load	Weight	B	E	H
1/4	730	0.09	2 1/2	1 1/4	7/32
3/8		0.28		3 7/8	1 7/8
1/2		0.31	4 7/8		1 13/16
5/8		0.72		2 5/16	1/2
3/4	860	0.70			9/16

PROJECT INFORMATION		APPROVAL STAMP	
Project:		<input type="checkbox"/> Approved	
Address:		<input type="checkbox"/> Approved as noted	
Contractor:		<input type="checkbox"/> Not approved	
Engineer:		Remarks:	
Submittal Date:			
Notes 1:			
Notes 2:			