

Fig. 148

Rod with Eye End

Size Range: 2 3/4" through 5"

Material: Carbon steel

Finish: Plain or Zinc Plated

Service: A large diameter rod with eye end for load ratings thru 184,000 pounds.

Ordering: Specify rod size, figure number, name, finish and "L" dimension. Indicate if desired thread length is other than standard.

Note: The acceptability of galvanized coatings at temperatures above 450°F is at the discretion of the end user.

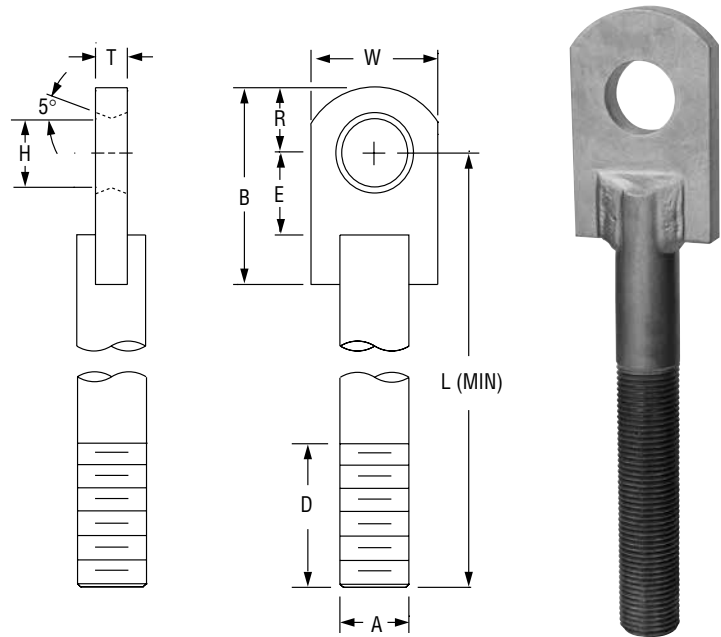


FIG. 148: LOADS (LBS) • WEIGHTS (LBS) • DIMENSIONS (IN)

Rod Size A	Max Load		Weight* Min Length	Weight/Ft. Additional Length	B	D	E	H	L (Min)	R	T	W
	650° F	750° F										
2 3/4	49,400	38,687	35.9	20	9 5/8	12	3 3/4	3 1/8	19	3 5/8	1 1/2	6
3	60,100	47,066	42.9	24	11		4	3 3/8	20	4		
3 1/4	71,900	56,307	54.7	28	12 1/4			3 5/8	21	4 1/4		
3 1/2	84,700	66,331	67.3	33	12 1/2	15	4 3/4	3 7/8	24	4 1/2	2	7
3 3/4	98,500	77,139	80.0	37	13 7/8		5	4 1/8	25	4 7/8		
4	113,400	88,807	97.0	43	15 1/8			4 3/8	26	5 1/8		
4 1/4 •	129,400	101,337	127.0	48	16 1/4	18	5 1/4	4 5/8	30	5 1/2	2 1/2	9 1/2
4 1/2 •	146,600	114,807	131.0	54	16		5 3/4	4 7/8	30	5 3/4		
4 3/4 •	164,700	128,982	154.0	60	17			5 1/8	31	6		
5 •	184,000	144,096	175.0	67	17 7/8	6 1/4	5 3/8	32	6 3/8	10		

*Weight calculated with minimum "L" for standard thread • Furnished with 4 UN series threads

PROJECT INFORMATION		APPROVAL STAMP	
Project:		<input type="checkbox"/> Approved	
Address:		<input type="checkbox"/> Approved as noted	
Contractor:		<input type="checkbox"/> Not approved	
Engineer:		Remarks:	
Submittal Date:			
Notes 1:			
Notes 2:			