

Fig. 286 (Formerly Fig. 283)

Iron Cross

Size Range: 3/4" through 1 1/2"

Material: Stainless steel body, fiberglass bars, polypropylene disc

Service: Upper attachment for suspending pipe or equipment from concrete ceiling.

Approvals: Complies with Federal Specification A-A-1192A (Type 18), WW-H-171-E (Type 18), ANSI/MSS SP-69 and MSS SP-58 (Type 18).

Installation:

1. Nail insert to wooden forms.
2. Locate fiberglass bars to rest upon existing reinforcing rods or wire the insert directly into existing reinforced rods to achieve the specified load ratings.

Features:

- Stainless steel body prevents corrosion.
- Cone shaped body.
- Exceptional pullout strength.
- Eliminates uncertainty of tying conventional inserts into bridge deck rebars.

Ordering: Specify figure number, name and rod size.

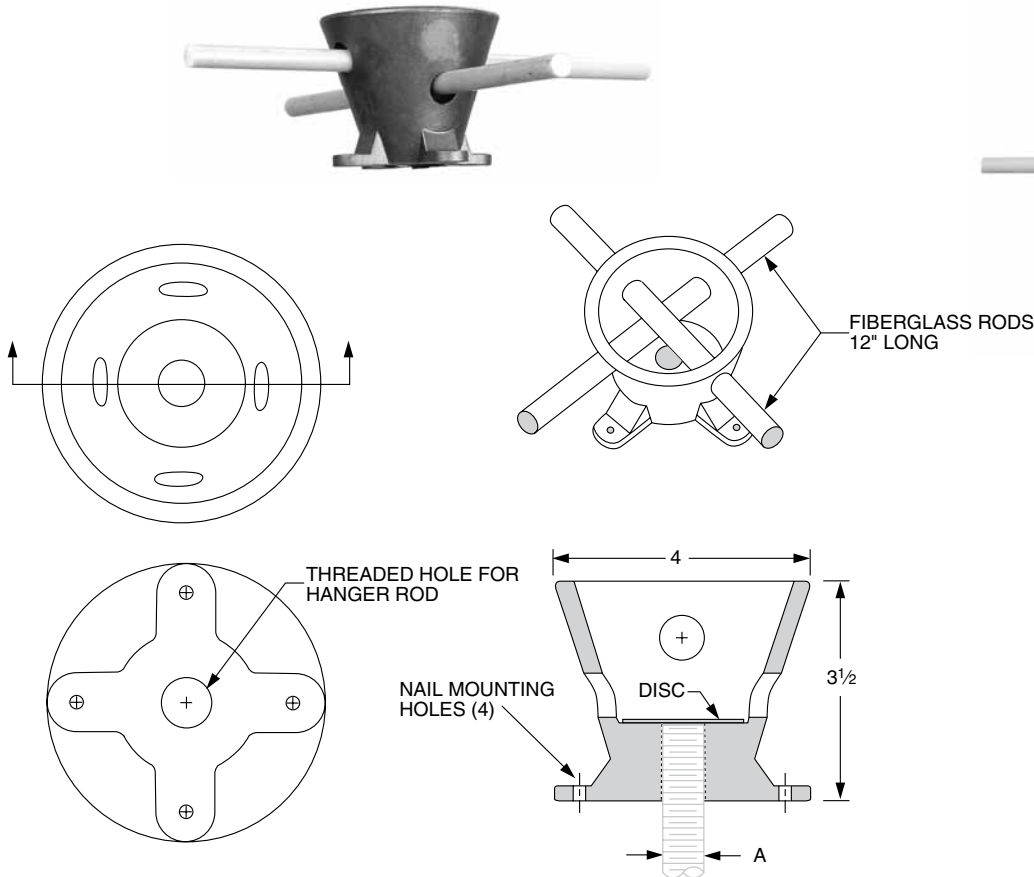


FIG. 286:

Rod Size A	Max Load (lbs) ■
3/4	3,230
7/8	4,480
1	5,900
1 1/4	9,500
1 1/2	13,800

■ Based on the rod diameter only. Rating is subject to the conditions that the concrete used is of sufficient strength to hold the insert.

PROJECT INFORMATION		APPROVAL STAMP	
Project:		<input type="checkbox"/> Approved	
Address:		<input type="checkbox"/> Approved as noted	
Contractor:		<input type="checkbox"/> Not approved	
Engineer:		Remarks:	
Submittal Date:			
Notes 1:			
Notes 2:			