

Fig. 395

Cast Iron Ceiling Plate

Size Range: 1/2" through 8"

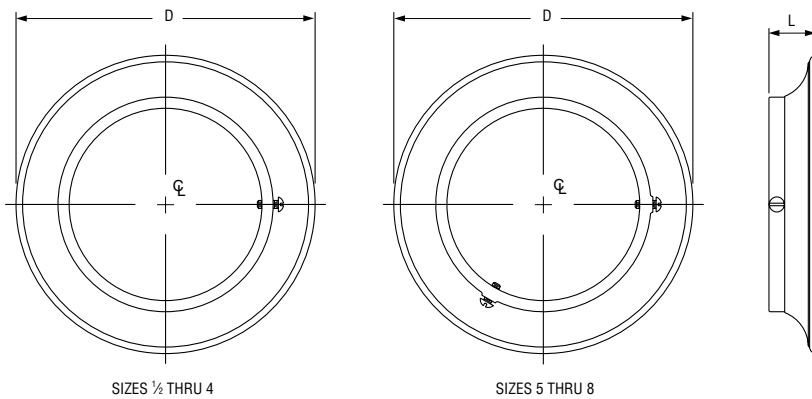
Material: Cast iron

Finish: Plain or Zinc Plated

Service: Gives finished appearance where pipe enters ceiling.

Installation: Sizes 1/2" to 4" furnished with one machine screw; sizes 5" to 8", two machine screws.

Ordering: Specify pipe size, figure number, name and finish.



**FIG. 395:
WEIGHT (LBS) • DIMENSIONS (IN)**

Pipe Size	Weight	D - Dia.	L
1/2	0.21	27/8	3/4
3/4	0.40	33/8	1
1	0.41	35/8	
1 1/4	0.51	4	
1 1/2	0.55	4 1/4	
2	0.67	4 3/4	
2 1/2	0.93	5 1/2	1 1/8
3	1.10	6 1/8	
4	1.40	7 1/8	
5	2.50	8 1/16	1 1/4
6	3.10	9 3/4	
8	3.30	11 3/4	

PROJECT INFORMATION		APPROVAL STAMP	
Project:		<input type="checkbox"/> Approved	
Address:		<input type="checkbox"/> Approved as noted	
Contractor:		<input type="checkbox"/> Not approved	
Engineer:		Remarks:	
Submittal Date:			
Notes 1:			
Notes 2:			