

Fig. 217

Adjustable Side Beam Clamp

Size Range: 3" through 7 5/8"

Material: Carbon steel

Finish: Plain

Service: To be used where it is necessary for the hanger rod to run vertically close to the beams edge, eliminating drilling of holes in structural members.

Components: Top slide, bottom hook, nut and bolt – assembled.

Design: Can be adjusted to fit various beam flange widths and thicknesses.

Approvals: Complies with Federal Specification A-A-1192A (Type 25), ANSI/MSS SP-69 and MSS SP-58 (Type 25).

Ordering: Specify size, figure number, type, name.

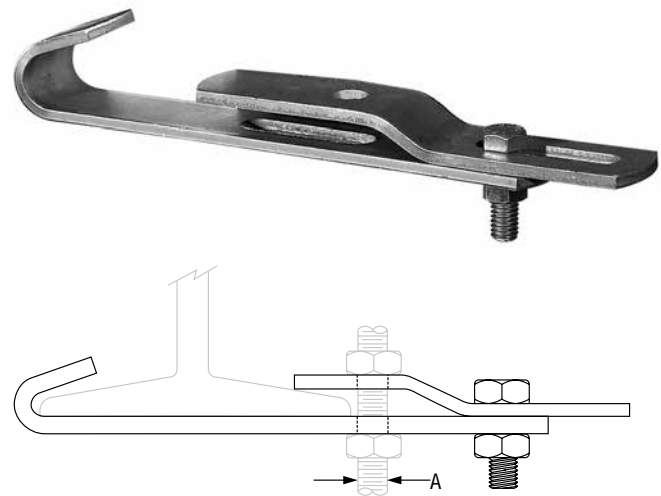


FIG. 217: LOAD (LBS) • WEIGHT (LBS) • DIMENSIONS (IN)

Size	Max Flange Width	Max Flange Thickness	Rod Size A	Max Load	Weight
Fig. 217 - Type 1					
3	3 - 4 1/2	1/2	3/8	300	0.80
4 5/8	4 5/8 - 6	1 1/16			1.06
6 1/8	6 1/8 - 7 1/2	3/4			1.17
7 5/8	7 5/8 - 9	1 5/16			1.28
Fig. 217 - Type 2					
3	3 - 4 1/2	1/2	1/2	500	1.57
4 5/8	4 5/8 - 6	1 1/16			1.84
6 1/8	6 1/8 - 7 1/2	3/4			2.05
7 5/8	7 5/8 - 9	1 5/16			2.23
Fig. 217 - Type 3					
3	3 - 4 1/2	1/2	5/8	700	3.75
4 5/8	4 5/8 - 6	1 1/16			4.19
6 1/8	6 1/8 - 7 1/2	3/4			4.53
7 5/8	7 5/8 - 9	1 5/16			5.11

PROJECT INFORMATION		APPROVAL STAMP	
Project:		<input type="checkbox"/> Approved	
Address:		<input type="checkbox"/> Approved as noted	
Contractor:		<input type="checkbox"/> Not approved	
Engineer:		Remarks:	
Submittal Date:			
Notes 1:			
Notes 2:			