

Fig. 218

Malleable Beam Clamp without Extension Piece

Material: Malleable iron jaw, steel tie rod, nuts and washer.

Finish: Plain or Zinc Plated

Service: Recommended for attachment to structural steel. Use in conjunction with beams where beam widths are from 2 3/8" minimum to 7" maximum and flange thickness does not exceed 0.60".

Approvals: Complies with Federal Specification A-A-1192A (Type 30) WW-H-171-E (Type 30), ANSI/MSS SP-69 and MSS SP-58 (Type 30). UL, ULC Listed (Sizes 3/4" - 12" pipe size, when used with the Fig. 157 extension piece 3/8" - 7/8" rod sizes).

FM Approved (Sizes 3/4" - 4" pipe size, when used with the Fig. 157 extension piece 3/8" rod size).

Installation: The malleable beam clamp Fig. 218 may be used with an eye rod, or Fig. 157 extension piece.

Features:

- Functional design insures proper fit for all beam sizes.
- Tie rod locks clamp in place when nuts are tightened.
- Ordering and stocking simplified because of one universal size.
- Design allows hanger rod to swing from vertical providing flexibility at the beam clamp.

Ordering: Specify figure number, name and finish.

Note: When used with Fig. 157 extension piece, an additional inch or more of vertical adjustment is obtained.

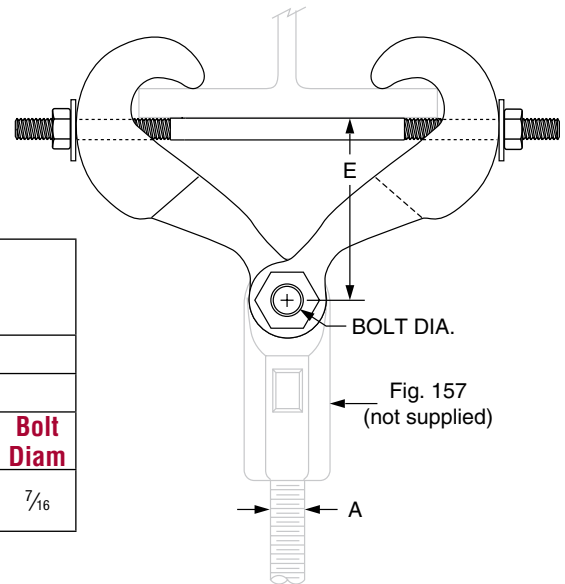
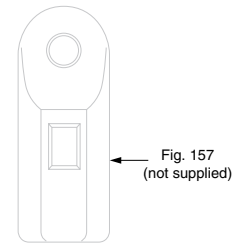


FIG. 218: LOADS (LBS) • WEIGHT (LBS) • DIMENSIONS (IN)										
Max Rod Size A	Max Load ■	Weight	Width of Beam Flange (in)							Bolt Diam
			Rod Take Out - E (in)							
			2 3/8	3	4	5	6	7		
7/8	1,365	2.2	3 1/2	3 7/16	3 5/16	2 15/16	2 9/16	1 7/8	7/16	

■ Note: see technical data section of the pipe hanger catalog for load capacity of rod.

PROJECT INFORMATION		APPROVAL STAMP	
Project:		<input type="checkbox"/> Approved	
Address:		<input type="checkbox"/> Approved as noted	
Contractor:		<input type="checkbox"/> Not approved	
Engineer:		Remarks:	
Submittal Date:			
Notes 1:			
Notes 2:			