

Fig. 14

Adjustable Side Beam Clamp

Size Range: 3/8" through 5/8"

Material: Carbon steel

Finish: Plain or Zinc Plated

Service: Recommended for supporting pipe from the bottom flange of beams.

Approvals: Complies with Federal Specification A-A-1192A (Type 27) WW-H-171-E (Type 54), ANSI/MSS SP-69 and MSS SP-58 (Type 27).

Ordering: Specify rod size, figure number, name and finish.

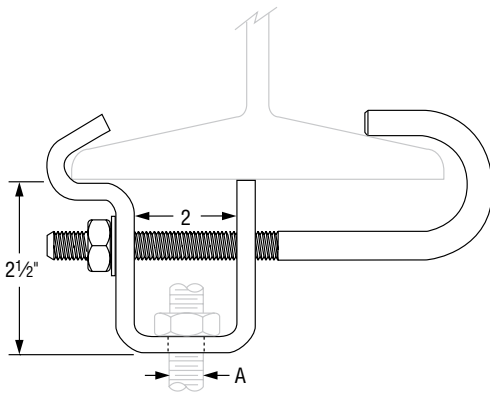


FIG. 14: LOAD (LBS) • WEIGHT (LBS) • DIMENSIONS (IN)

Rod Size A	Max Load	Hole Size A	Adjustment Beam Width		Weight
			Min.	Max.	
3/8	300	7/16	3 1/2	8	1.19
1/2	700	9/16			1.67
5/8	1,000	1 1/16			2.23

PROJECT INFORMATION		APPROVAL STAMP	
Project:		<input type="checkbox"/> Approved	
Address:		<input type="checkbox"/> Approved as noted	
Contractor:		<input type="checkbox"/> Not approved	
Engineer:		Remarks:	
Submittal Date:			
Notes 1:			
Notes 2:			