

Fig 295H

Heavy Duty Double Bolt Pipe Clamp

Size Range: 6" through 36"

Material: Carbon steel

Finish: Plain or Hot-Dip Galvanized with Zinc Plated Bolts & Nuts

Service: Recommended for suspension of pipe requiring insulation within the limitation of temperature and loads shown below.

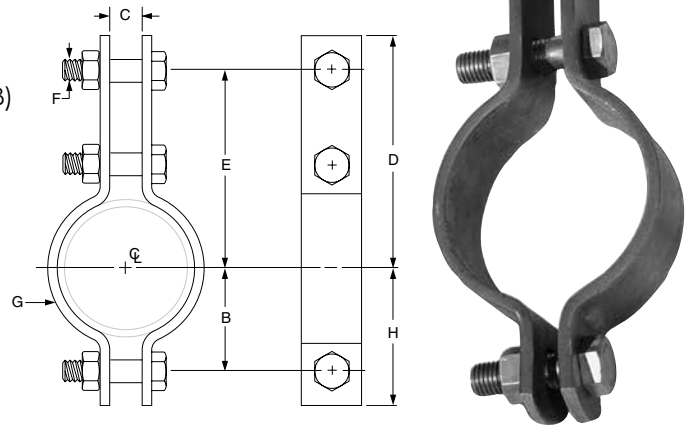
Maximum Temperature: Plain 750° F, Galvanized 450° F

Approvals: Complies with Federal Specification A-A-1192A (Type 3) WW-H-171-E (Type 3), ANSI/MSS SP-69 and MSS SP-58 (Type 3).

Features:

- Accommodates up to 4" thick insulation.
- Figure 41SD will accommodate larger insulation thicknesses, loads and dimensions.

Ordering: Specify pipe size, figure number, name and finish.



Note: This picture is representative of a typical Figure 295H. Distance between clamp ears beneath pipe may or may not be equal to upper gap.

FIG 295H: LOADS (LBS) • WEIGHT (LBS) • DIMENSIONS (IN)

Pipe Size	Max Load For Service Temp		Weight	B	C	D	Rod Take Out E	F	G Width	H
	650° F	750° F								
6	3,500	3,125	12.0	4 ³ / ₄	1 ³ / ₄	10 ¹³ / ₁₆	8 ¹⁵ / ₁₆	1	2 ¹ / ₂	6
8	4,800	4,285	18.5	6	2	11 ³ / ₈	10 ¹ / ₈	1 ¹ / ₈		7 ¹ / ₄
10	5,500	4,910	30.3	7 ¹ / ₄	2 ¹ / ₄	13 ¹ / ₈	11 ³ / ₈	1 ¹ / ₄	3 ¹ / ₂	9
12	7,000	6,250	42.0	8 ⁵ / ₈		14 ⁵ / ₁₆	12 ⁹ / ₁₆	1 ³ / ₈		10 ³ / ₈
14	9,500	8,485	60.0	9 ⁵ / ₈	3	15 ¹ / ₂	13 ¹ / ₂	1 ¹ / ₂	4	11 ⁵ / ₈
16	10,000	8,930	80.0	10 ⁷ / ₈		17 ¹ / ₈	14 ⁷ / ₈	1 ³ / ₄		4 ¹ / ₂
18	13,800	12,325	115.0	12 ¹ / ₂	3 ¹ / ₂	18 ¹ / ₄	16 ¹ / ₄	2	4	14 ¹ / ₂
20	15,300	13,665	140.0	13 ¹ / ₂		19 ³ / ₄	17 ¹ / ₄			2 ¹ / ₄
24	16,300	14,555	190.0	15 ¹ / ₂	4	22 ⁵ / ₁₆	19 ⁵ / ₁₆	7	6	
28	18,000	–	354.0	18 ⁷ / ₈		31 ³ / ₄	27 ¹ / ₄			8
30	20,500	–	406.0	19 ⁷ / ₈	4 ¹ / ₄	32 ³ / ₄	28 ¹ / ₄	2 ¹ / ₂	8	
32	23,750	–	555.0	21 ³ / ₄		36	31			7
34	25,000	–	604.0	23 ³ / ₈	4 ¹ / ₂	37 ¹ / ₂	32 ¹ / ₂	8	7	
36	28,000	–	678.0	24 ⁵ / ₈		40 ¹ / ₄	34 ³ / ₄			2 ³ / ₄

Clamps may be furnished with square ends.

PROJECT INFORMATION		APPROVAL STAMP	
Project:		<input type="checkbox"/> Approved	
Address:		<input type="checkbox"/> Approved as noted	
Contractor:		<input type="checkbox"/> Not approved	
Engineer:		Remarks:	
Submittal Date:			
Notes 1:			
Notes 2:			