

Fig. 246

Heavy Duty Alloy Steel Pipe Clamp

Size Range: 10" through 24"

Material: Chrome molybdenum steel except U-bolt which is stainless steel.

Service: Recommended for suspension of high temperature pipe requiring up to 6" of insulation.

Maximum Temperature: 1,075° F

Approvals: Complies with Federal Specification A-A-1192A (Type 2), WW-H-171-E (Type 2), and MSS SP-58 (Type 2).

Installation: Normally used with welded eye rod Fig. 278 or weldless eye nut Fig. 290.

Features:

- Designed for the support of heavy loads at high temperatures.
- Clamp with filler plate will snugly hold pipe of non-standard size.
- Alloy load distribution strap provided.
- When used on pipe with 6" of covering, the top bolt is outside of the insulation.

Ordering: Specify nominal pipe size and exact O.D. of pipe, figure number, name. Special alloy filler plates will be provided, at an extra charge, when the O.D. of the pipe size is other than standard. Installation instructions are attached to the clamp when the filler plates are required.

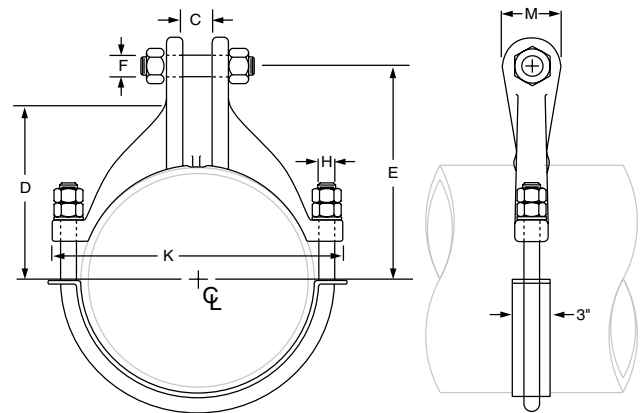
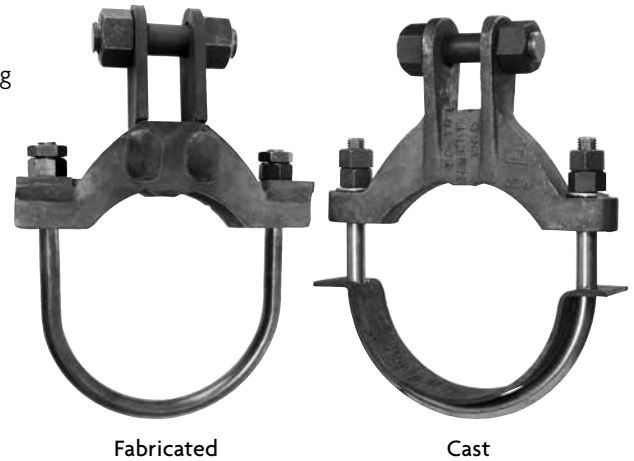


FIG. 246: LOADS (LBS) • WEIGHT (LBS) • DIMENSIONS (IN)

Pipe Size	Used on O.D. pipe size	Max Load ■				Weight*	C	D	Rod Take Out E	F	H	K	M
		950° F	1,000° F	1,050° F	1,075° F								
10	8 ³ / ₄ - 10 ¹³ / ₁₆	13,500	11,780	7,850	6,120	42.0	2	9 ¹ / ₈	12	1 ¹ / ₂	1	15 ³ / ₈	3 ¹ / ₄
12	10 ⁷ / ₈ - 12 ¹³ / ₁₆	16,500	14,910	9,940	7,750	58.0	2 ¹ / ₄	10 ³ / ₄	13 ³ / ₄	1 ⁵ / ₈	1 ¹ / ₄	17 ⁷ / ₈	4
14	12 ⁷ / ₈ - 14 ¹ / ₁₆							11 ¹ / ₂	14 ¹ / ₂			19 ¹ / ₈	
16	14 ¹ / ₈ - 16 ¹ / ₁₆							13 ¹ / ₈	16 ³ / ₈			21 ¹ / ₈	
18	16 ¹ / ₈ - 18 ¹ / ₁₆	19,000	18,410	12,270	9,570	94.0	2 ¹ / ₂	14 ¹ / ₂	18 ¹ / ₄	2	1 ³ / ₈	24 ¹ / ₈	4 ¹ / ₂
20	18 ¹ / ₈ - 20 ¹ / ₁₆							15 ³ / ₄	19 ¹ / ₂			26 ¹ / ₈	
24	20 ¹ / ₈ - 24 ¹ / ₁₆							18 ¹ / ₄	22			30 ³ / ₄	
24	20 ¹ / ₈ - 24 ¹ / ₁₆	25,000	22,280	14,850	11,580	167.0	3	18 ¹ / ₄	22	2 ¹ / ₄	1 ³ / ₈	30 ³ / ₄	6

■ Based on the allowable stresses shown in the ASME Code for Pressure Piping. Over tightening of nuts may overstress U-bolts reducing the load rating. Installation tag attached to clamp gives proper nut tightening. * This weight does not include filler plates required on non-standard pipe sizes

PROJECT INFORMATION		APPROVAL STAMP	
Project:		<input type="checkbox"/> Approved	
Address:		<input type="checkbox"/> Approved as noted	
Contractor:		<input type="checkbox"/> Not approved	
Engineer:		Remarks:	
Submittal Date:			
Notes 1:			
Notes 2:			