

MODEL GAV-15

Automatic Air Vents For Ultimate Performance

- Two Sizes Equip All Riser Systems
- Spherical Float for Strength
- Stainless Steel Float and Trim
- Special Design Eliminates Blow-by

The Air Vent (GAV) features a Stainless Steel spherical float design. Air in the piping system is vented through the discharge valve that is normally open. Rising water activates the float to close the valve. The valve outlet is tapped to take a safety drain line.

Simplicity of design in the GAV ensures long-lasting efficiency. The Stainless Steel float and valve mechanism involve no wearing parts, and no intricate function. The precision formed cast iron body custom fits the float and valve, and protectively houses their operation under the most demanding conditions.

Max. Working Pressure

- 175 PSI (12 bar) @ 150° F (66° C)
- 150 PSI (10 bar) @ 250° F (121° C)

Test Pressure

- 300 PSI (21 bar) @ 70° F (21° C)

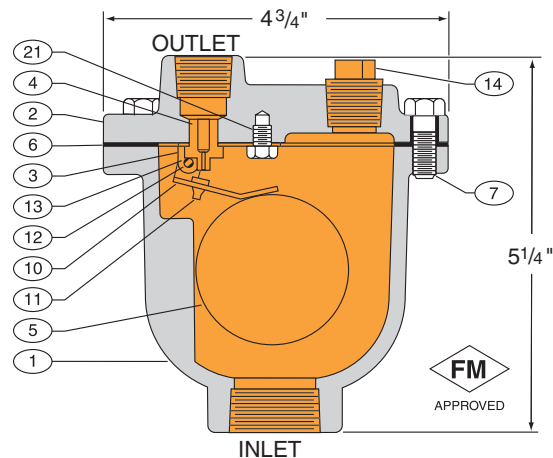


MODEL GAV-15 AUTOMATIC AIR VENT					
Valve Size	Maximum Temp.	Inlet Size NPT	Outlet Size NPT	Orifice Size	Approx. Wt. Ea
In./mm	°F/°C	In./mm	In./mm	In./mm	Lbs./Kg
1/2 15	250 120	1/2 15	1/2 15	1/16 2	5 1/2 3
3/4 20	250 120	3/4 20	1/2 15	1/16 2	5 1/2 3
1 25	250 120	1 25	1/2 15	1/16 2	5 1/2 3

MODEL GAV-15 AUTOMATIC AIR VENT									
Type	Max. Water Pressure	Max. Temp.	Inlet Size	Outlet Size NPT	Valve Orifice	Overall			Approx. Wt. Ea
						Height	Width	Length	
	PSI/bar	°F/°C	In./mm	In./mm	In./mm	In./mm	In./mm	In./mm	Lbs./Kg
GAV-15	150 10	250 120	1/2, 3/4 & 1 15, 20 & 25	3/8 10	1/16 2	5 1/4 130	4 3/4 100	4 3/4 100	5 1/2 2.5

MATERIAL SPECIFICATIONS

1. BODY: Cast Iron ASTM A 126, Class B
2. COVER: Cast Iron ASTM A 126, Class B
3. LEVER FRAME: Stainless Steel-T304, ASTM A 240
4. SEAT: Stainless Steel-T303, 582
5. FLOAT: Stainless Steel-T304, ASTM A 240
6. GASKET: Non Asbestos
7. COVER BOLT: Carbon Steel-Sae Grade 5
10. FLOAT ARM: Stainless Steel-T304, ASTM A 240
11. ORIFICE BUTTON: Viton
12. PIVOT PIN: Stainless Steel-T303, 582
13. PIN RETAINER: Stainless Steel-Ph 15-7 MO
14. PIPE PLUG 1/2": Steel
21. LOCATOR: Stainless Steel-T304, ASTM F 593



PROJECT INFORMATION		APPROVAL STAMP
Project:		<input type="checkbox"/> Approved
Address:		<input type="checkbox"/> Approved as noted
Contractor:		<input type="checkbox"/> Not approved
Engineer:		Remarks:
Submittal Date:		
Notes 1:		
Notes 2:		