

SOCK-IT® PIPING METHOD FITTINGS

The Gruvlok® Sock-It® Piping Method provides a quick, secure and reliable method of joining plain-end steel pipe. Several Sock-It configurations are available: tees with NPT outlets, reducing run tees with NPT outlets, straight couplings, 90 elbows, straight tees and reducing elbows. Pressure energized elastomeric gaskets provide the Sock-It with a leak tight seal. Specially designed lock bolts secure the pipe in the Sock-It Fitting, providing a fast, dependable way of joining small diameter plain-end pipe.



FITTING SIZE			
Nominal Size	O.D.	Nominal Size	O.D.
In./DN(mm)	In./mm	In./DN(mm)	In./mm
1/2	0.840	1 1/2	1.900
15	21.3	40	48.3
3/4	1.050	2	2.375
20	26.7	50	60.3
1	1.315	2 1/2	2.875
25	33.7	65	73.0
1 1/4	1.660		
32	42.4		

Working pressure ratings shown are for reference only and are based on schedule 40 pipe. For the latest UL/ULC Listed and FM approved pressure ratings versus pipe schedule see www.anvilintl.com or contact your local Anvil Sales Representative.

The Fitting Size Chart is used to determine the O.D. of the pipe that the fittings is to be used with. Gruvlok Fittings are identified by either the Nominal size in inches or the Pipe O.D. in mm.

MATERIAL SPECIFICATIONS

HOUSING: Cast iron ASTM A 126 CLASS A

BOLTS: Case hardened carbon steel, dichromate finish.

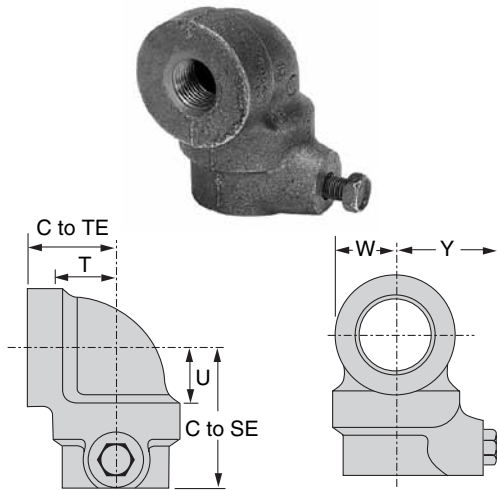
GASKETS: EPDM, as specified in accordance with ASTM D 2000



For Listings/Approval Details and Limitations, visit our website at www.anvilintl.com or contact an Anvil® Sales Representative.

NOTE: All Sock-It® fittings are UL/ULC Listed and FM Approved for 175 psi working pressure when used to join XL Pipe and Dyna-Flow Pipe.

FIG. 7101 - 90° Reducing Elbow (Sock-It® x NPT)

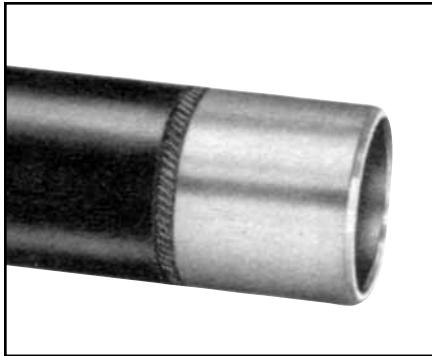


C to SE - Center to Sock-It® End
 C to TE - Center to Thread End
 * "U" - Take-out dimension, Sock-It® End.
 ** "T" - Take-out dimension, Thread End.

Nominal Size	Max. Working Pressure		Dimensions						Approx. Wt. Ea.
	UL/ULC Listed	FM Approved	Center to TE	Center To SE	U*	T**	W	Y	
In./DN(mm)	PSI/bar	PSI/bar	In./mm	In./mm	In./mm	In./mm	In./mm	In./mm	Lbs./Kg
1 x 1/2 25 x 15	300 20.7	300 20.7	1 1/16 37	2 5/16 59	7/8 22	1 25	1 1/16 27	1 11/16 43	1.7 0.8
1 x 3/4 25 x 20	300 20.7	300 20.7	1 1/16 37	2 5/16 59	7/8 22	7/8 22	1 1/16 27	1 11/16 43	1.6 0.7
1 x 1 25 x 25	300 20.7	300 20.7	1 7/16 37	2 5/16 59	7/8 22	7/8 22	1 1/16 27	1 11/16 43	1.5 0.7
1 1/4 x 1/2 32 x 15	300 20.7	300 20.7	1 9/16 40	2 1/2 64	1 1/16 17	1 1/8 29	1 1/4 32	1 13/16 46	2.2 1.0
1 1/4 x 3/4 32 x 20	300 20.7	300 20.7	1 9/16 40	2 1/2 64	1 1/16 17	1 25	1 1/4 32	1 13/16 46	2.1 1.0
1 1/4 x 1 32 x 25	300 20.7	300 20.7	1 9/16 40	2 1/2 64	1 1/16 17	1 25	1 1/4 32	1 13/16 46	2 0.9
1 1/2 x 1/2 40 x 15	300 20.7	300 20.7	1 11/16 43	2 1/2 64	1 25	1 1/4 32	1 3/8 35	1 15/16 49	2.5 1.1
1 1/2 x 3/4 40 x 20	300 20.7	300 20.7	1 11/16 43	2 1/2 64	1 25	1 1/8 29	1 3/8 35	1 15/16 49	2.4 1.1
1 1/2 x 1 40 x 25	300 20.7	300 20.7	1 11/16 43	2 1/2 64	1 25	1 1/8 29	1 3/8 35	1 15/16 49	2.3 1.0

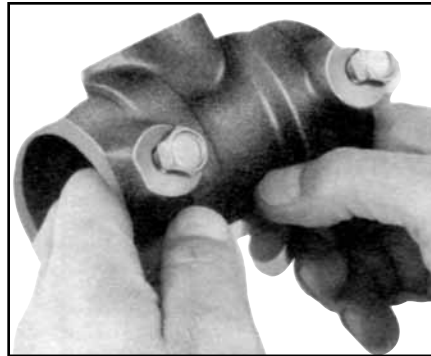
PROJECT INFORMATION		APPROVAL STAMP	
Project:		<input type="checkbox"/> Approved	
Address:		<input type="checkbox"/> Approved as noted	
Contractor:		<input type="checkbox"/> Not approved	
Engineer:		Remarks:	
Submittal Date:			
Notes 1:			
Notes 2:			

Gruvlok Sock-It® Fitting

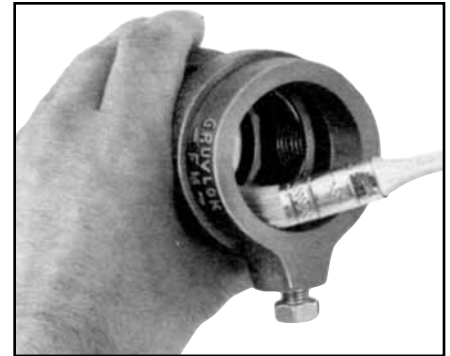


1 PIPE PREPARATION—Pipe surface shall be cleaned at least 1" from the end of the pipe to remove any coating, indentations, projections, and sharp edges which could affect proper gasket sealing. As a guide for installation, mark the pipe at a distance of 1½" from the end for 1", 1¼", and 1½" size fittings and 1¾" for the 2" & 2½" size fittings.

NOTE: When Allied XL pipe is used it is necessary only to remove sharp edges and burrs at the end of the pipe. No additional cleaning is required.

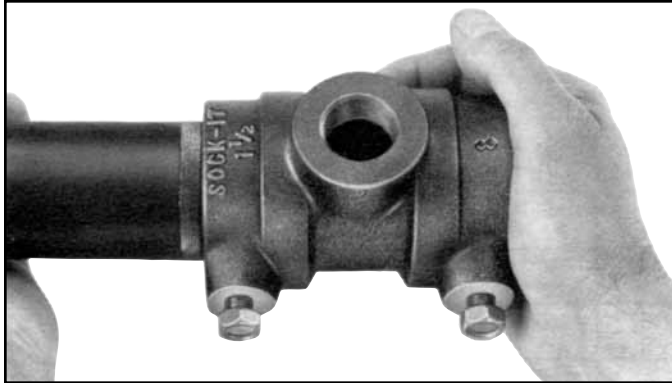


2 CHECK BOLTS—Check all lock bolts to be sure they do not extend into the I.D. of the Sock-It Fittings as this would prevent proper insertion of the pipe.



3 LUBRICATE GASKETS—Apply a light coating of GRUVLOK Lubricant to the gaskets located in each end of the Sock-It Fitting. Also apply a light coating of lubricant to the pipe ends to further ease insertion of the pipe into the Sock-It Fitting.

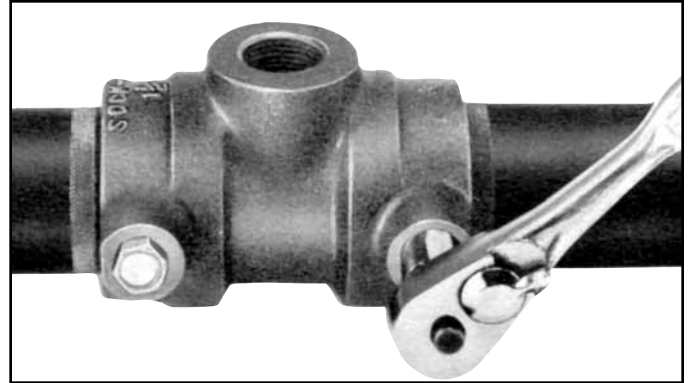
NOTE: Use only Gruvlok Lubricants. Other lubricants may affect gasket performance.



4 INSERT PIPE & TIGHTEN BOLTS—Insert the prepped and lubricated pipe end into the Sock-It Fitting until the pipe end makes contact with the internal pipe stop. A slight twist while pushing fitting and pipe together will ease the required insertion force. The end of the Sock-It Fitting should be within ¼" from the edge of the marking on the pipe. (See Step 1). Rotate the fitting until the desired position is obtained. Tighten the lock bolt until the bolt head bottoms against the threaded boss. (NOTE: The 2½" Sock-It fitting has 2 locking bolts for each pipe end.)

Install the other prepped and lubricated pipe end into the Sock-It fitting in the same manner.

CAUTION: Do NOT hammer fitting on.



5 ASSEMBLY IS COMPLETE—Sock-It Fittings may be removed by loosening the lock bolts. Reinstallation may be accomplished as described in Steps 1-4.

WARNING: System pressure must be relieved and vented, and the system drained of fluid prior to loosening the lock bolts to remove or reposition the Sock-It Fitting.

Bolt end must be inspected to assure bolts ability to cut into pipe. Replace bolts in cases where bolt end sharpness has been comprised.