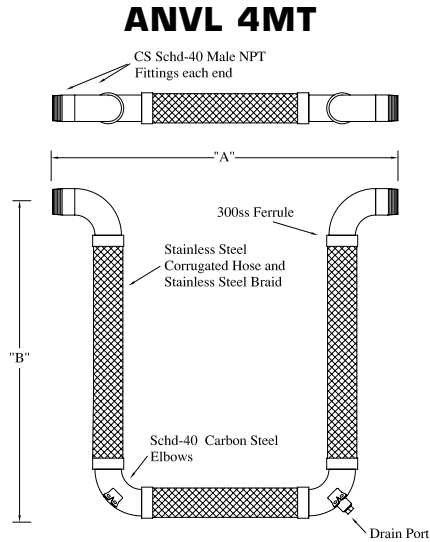


CSA standard B51 certified. Inspected and tested by the Technical Standards and Safety Authority of Canada.



Grooved (G) (Sch 40 Carbon Steel)

ANVL4G											
NOMINAL PIPE SIZE (N.P.S.)	LENGTH A (IN.)	LENGTH B (IN.)	PRESSURE (PSI) 70° F	MOVEMENTS							WEIGHT (LBS)
				COMPRESSION (IN.)	EXTENSION (IN.)	PARALLEL (IN.)	ROTATION "X" AXIS (°)	NON-PARALLEL "Y" AXIS (IN.)	SPRING RATE*		
2.0	37.00	28.25	300	4	4	4	20°	2	13	18	
2.5	41.00	31.00	300	4	4	4	20°	2	23	30	
3.0	45.25	34.00	300	4	4	4	15°	2	33	40	
4.0	55.75	40.00	175	4	4	4	10°	2	53	70	
5.0	71.25	51.00	175	4	4	4	10°	2	66	117	
6.0	77.00	54.25	175	4	4	4	5°	2	79	166***	
8.0	92.00	63.25	175	4	4	4	5°	2	105	330**	
10.0	110.00	74.38	175	4	4	4	5°	2	132	571**	
12.0	125.00	84.38	175	4	4	4	3°	2	158	856**	

Threaded ends (MT) (Sch 40 Carbon Steel Male N.P.T.)

ANVL4MT											
NOMINAL PIPE SIZE (N.P.S.)	LENGTH A (IN.)	LENGTH B (IN.)	PRESSURE (PSI) 70° F	MOVEMENTS							WEIGHT (LBS)
				COMPRESSION (IN.)	EXTENSION (IN.)	PARALLEL (IN.)	ROTATION "X" AXIS (°)	NON-PARALLEL "Y" AXIS (IN.)	SPRING RATE*		
1.0	25.75	20.50	300	4	4	4	30°	2	7	7	
1.25	29.38	22.50	300	4	4	4	25°	2	9	9	
1.5	32.00	24.50	300	4	4	4	25°	2	10	13	
2.0	37.00	28.25	300	4	4	4	20°	2	13	18	
2.5	41.00	31.00	300	4	4	4	20°	2	23	30	
3.0	45.25	34.00	300	4	4	4	15°	2	33	40	
4.0	55.75	40.00	175	4	4	4	10°	2	53	70	

PRESSURES

MAXIMUM WORKING PRESSURE:

Maximum operating pressure to which the assembly should be subjected. It is established at 25% of the nominal design burst pressure. Anvil Tri-Flex Loop sizes 1"–3" are Factory Mutual tested and approved for 300 psi working pressure and sizes 4"–12" are Factory Mutual tested and approved for 175 psi working pressure.

MAXIMUM PROOF PRESSURE:

Maximum test pressure to which the assembly should be subjected. It is established at 150% of the maximum working pressure with the Anvil Tri-Flex Loop installed in its neutral position.

No harmful deformation shall occur.

PROJECT INFORMATION		APPROVAL STAMP
Project:		<input type="checkbox"/> Approved
Address:		<input type="checkbox"/> Approved as noted
Contractor:		<input type="checkbox"/> Not approved
Engineer:		Remarks:
Submittal Date:		
Notes 1:		
Notes 2:		