

HBS-PH 48" Light Duty Pipe Hanger Support PG, HG

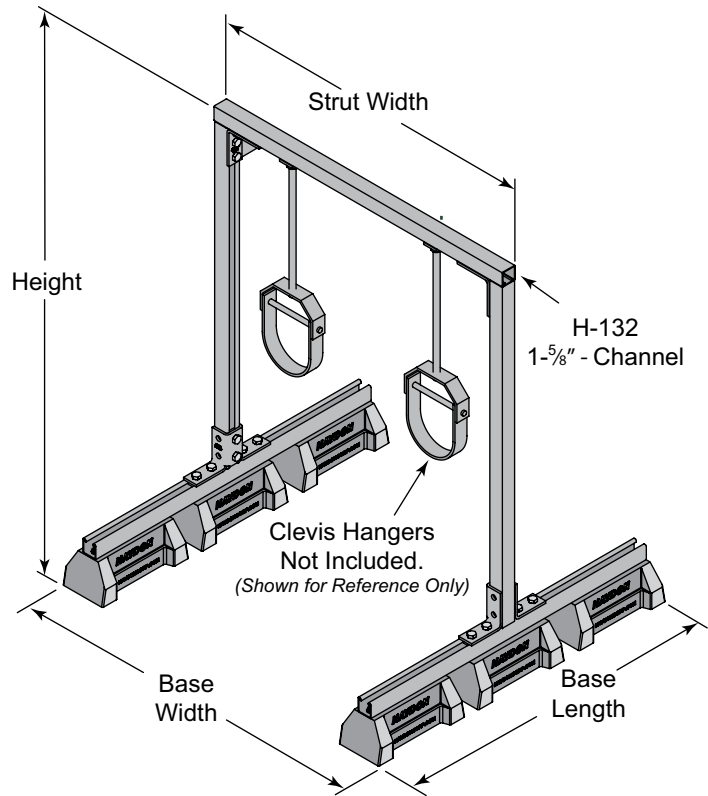
HBS-PH 48" LIGHT DUTY PIPE HANGER SUPPORT SERIES WITH H-132 PG TOP SUPPORT



The HBS-PH Series is designed specifically for supporting piping.



Specifications
 Fixed Width & Height.
 All hardware required for assembly is included.
 Base Material - 100% recycled rubber, UV resistant
 Crossbeams - 1⁵/₈" H-132 Channel



HBS-PH 48" LIGHT DUTY PIPE HANGER SUPPORT SERIES WITH H-132PG TOP SUPPORT

Model No.	Height	Strut Width	Base Width	Base Length	No. of Bases	Weight (Lbs)	Uniform Load Capacity (Lbs) *
<input type="checkbox"/> HBS-PH-48-36-H-132-PG	48" (1219mm)	36" (914mm)	39 ³ / ₈ " (1000mm)	36" (914mm)	6	66	1,145*
<input type="checkbox"/> HBS-PH-48-48-H-132-PG		48" (1219mm)	51 ³ / ₈ " (1305mm)			68	855*
<input type="checkbox"/> HBS-PH-48-60-H-132-PG		60" (1524mm)	63 ³ / ₈ " (1610mm)			70	680*
<input type="checkbox"/> HBS-PH-48-72-H-132-PG		72" (1829mm)	75 ³ / ₈ " (1915mm)			72	565*

* This load is only for the capacity of the components in this assembly with the pipe hangers located at a distance ¹/₄ from each end of the top channel. For pipe hangers located ¹/₃ from each end, multiply uniform load by .75. For any other loading scenario, please consult the appropriate engineer. Please consult Roofing manufacturer or engineer for roof load capacity.

Torque Setting - All load capacities stated herein are based on the use of ¹/₂" channel nuts tightened to 50 ft-lbs.

LEGEND:

PG: Pre-Galvanized **HG:** Hot Dipped Galvanized Pricing is located in the Anvil H-Block price book.

PROJECT INFORMATION		APPROVAL STAMP	
Project:		<input type="checkbox"/> Approved	
Address:		<input type="checkbox"/> Approved as noted	
Contractor:		<input type="checkbox"/> Not approved	
Engineer:		Remarks:	
Submittal Date:			
Notes 1:			
Notes 2:			