

## FIG. 70G

### Butterfly Valves

The Fig. 70G Butterfly Valve is designed for use with Anvil Gruvlok couplings for fast and easy installation on grooved pipe. The valve body is fully rubber lined in EPDM or Nitrile material. A 316 Stainless Steel Disc is standard. The valve is supplied with a two position lockable handle.

Grooved ends conform to the requirements of AWWA C606.

Not intended for use in potable water systems.

#### PERFORMANCE:

**Pressure Rating:** 200 psi (13.8 bar) maximum working pressure.

The valve must not be installed with the disc in the fully open position. The disc must be partially closed so that no part is protruding past the end of the valve body during installation.



### MATERIAL SPECIFICATIONS

**HOUSING:** Ductile iron conforming to ASTM A 536, Grade 65-45-12, painted.

**BODY:** Carbon steel, elastomer lined

**BODY LINING:**

**Grade E (EPDM):**

-40°F to 230°F (-40°C to 110°C) (Service Temperature Range)  
Recommended for water service, dilute acids, alkaline, oil-free air and many chemical services.  
NOT FOR USE IN PETROLEUM SERVICES.

**Grade T (Nitrile)**

-20°F to 180°F (Service Temperature Range) (-29°C to 82°C)  
Recommended for petroleum products, air with oil vapors, vegetable oils and mineral oils.  
NOT FOR USE IN HOT WATER SERVICES.

**UPPER & LOWER STEM:** 416 Stainless Steel

**DISC:** 316 Stainless Steel

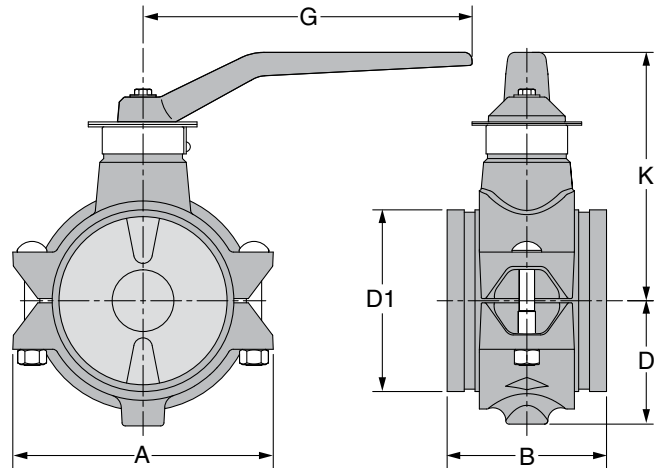
**HOUSING BOLTS & NUTS:** Heat treated, oval-neck track head bolts conforming to ASTM A-183 Grade 2 with a minimum tensile strength of 110,000 psi and heavy hex nuts of carbon steel conforming to ASTM A-563 Grade A or Grade B, or SAE J995 Grade 2. Bolts and nuts are provided zinc electroplated.

PROJECT INFORMATION		APPROVAL STAMP	
<b>Project:</b>		<input type="checkbox"/> Approved	
<b>Address:</b>		<input type="checkbox"/> Approved as noted	
<b>Contractor:</b>		<input type="checkbox"/> Not approved	
<b>Engineer:</b>		<b>Remarks:</b>	
<b>Submittal Date:</b>			
<b>Notes 1:</b>			
<b>Notes 2:</b>			

## FIG. 70G

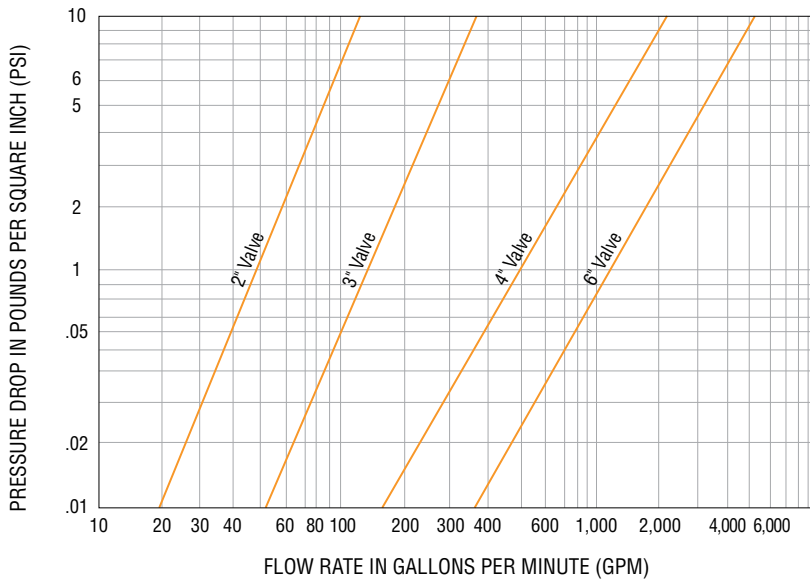
### Butterfly Valves

FIGURE 70G BUTTERFLY VALVE							
Nominal Size	Nominal Dimensions						Approx. Wt. Ea.
	A	B	D	D1	K	G	
In./DN(mm)	In./mm	In./mm	In./mm	In./mm	In./mm	In./mm	Lbs./Kg.
2	4.06	3.19	1.87	2.37	2.37	5.50	3.50
50	103	81	48	60	60	140	1.6
3	5.62	3.81	2.75	3.50	3.50	7.00	7.00
80	143	97	70	89	89	178	3.2
4	7.00	4.56	3.50	4.50	4.50	9.00	12.00
100	178	116	88.9	114	114	229	5.5
6	9.50	5.81	4.50	6.63	6.63	12.00	30.00
150	241	148	114	168	168	305	13.6



### FLOW CHARACTERISTICS

The chart below expresses the flow of water through a full open valve.



CV VALUES		
Size		Flow Coefficients – CV
Nominal Diameter	Actual Outside Diameter	Full Open Valve
In./mm	In./mm	
2	2.375	74
50	60.3	–
3	3.500	173
80	88.9	–
4	4.500	829
100	114.3	–
6	6.625	1287
150	168.3	–

CV values for flow of water are with a full open valve.