

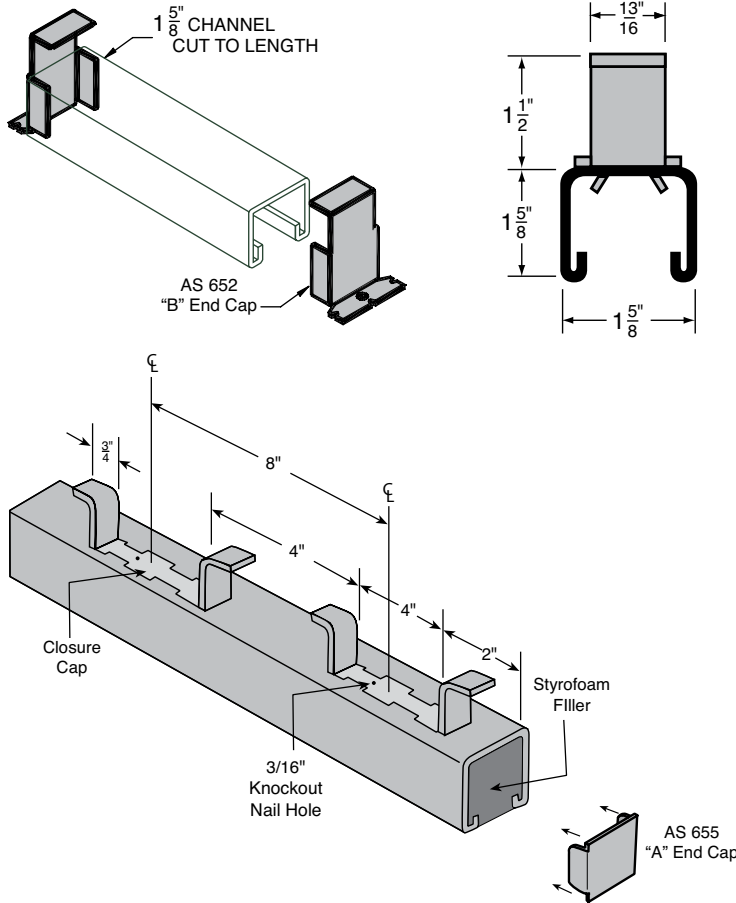
AS 249

PG, PL

CONTINUOUS CONCRETE INSERT

FEATURES

- Loading data was calculated in a concrete mixture which was proportioned so that the compression strength of the concrete was 2,500 to 3,000 pounds per square inch and that the load is dependent on the surrounding concrete.
- Tests were performed with a safety factor of 3, and in accordance with the MFMA Specifications.
- Anvil-Strut concrete inserts are supplied with the AS 652 or AS 655 end cap and either a styrofoam filler or plastic strip (AS 6151) installed in the insert channel to prevent any concrete seepage.
- Stocked in either plain and pre-galvanized, see technical data section for ASTM specifications.
- Inserts should be secured to forms at 16" intervals.
- When ordering, please indicate finish and either foam filler, or plastic closure.



With Closure Strip and End Cap Installed (CS/EC) or with Foam and End Cap Installed (F/EC).

Part No.	End Cap
AS 249 CS/EC 10	A
AS 249 CS/EC 20	A
AS 249 F/EC 10	A
AS 249 F/EC 20	A

Without Closure Strip and End Cap.

Part No.
AS 249 W/O 10
AS 249 W/O 20

Length in Inches	Max. Allowable Load	End Caps
12	2000 Lbs.	AS 652 Type "B"
18	2000 Lbs.	AS 655 Type "A"
24	2000 Lbs.	
30	2000 Lbs.	
36	2000 Lbs.	

1 5/8" x 1 1/8" x 12 Gauge Channel
Stocked in 10' or 20' lengths, Other lengths available

LEGEND:

GR: Powder Coated Supr-Green EG: Electro-Galvanized PG: Pre-Galvanized AL: Aluminum HG: Hot Dipped Galvanized PL: Plain SS: Stainless Steel ZTC: Zinc Trivalent Chromium

PROJECT INFORMATION		APPROVAL STAMP
Project:		<input type="checkbox"/> Approved
Address:		<input type="checkbox"/> Approved as noted
Contractor:		<input type="checkbox"/> Not approved
Engineer:		Remarks:
Submittal Date:		
Notes 1:		
Notes 2:		