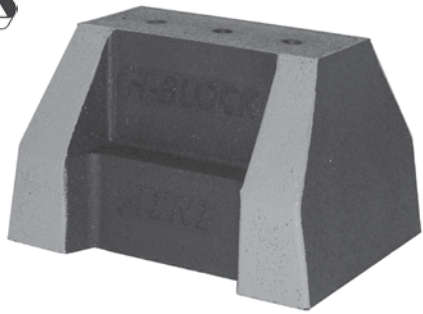


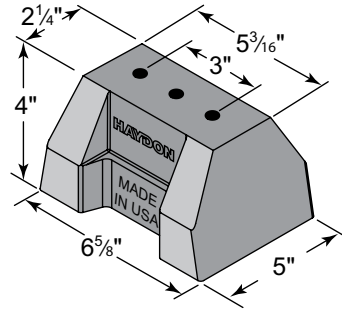
HBM-Mini Base Only

HBM-BASE RUBBER SUPPORT – BASE ONLY



Specifications – H-Block Mini Support
Material - 100% recycled rubber, UV resistant

A cost-effective method for mounting and supporting single pipe applications without losing strength and integrity.



HBM-BASE RUBBER SUPPORT – BASE ONLY

Model No.	Height	Width	Base Length	Weight (Lbs)	Uniform Load Capacity (Lbs) *
HBM-Mini Base Only	4" (101mm)	5" (127mm)	6 5/8" (168mm)	2.50	400 *

* This load is only for the capacity of the components in this assembly. Please consult roofing manufacturer or engineer for roof load capacity

LEGEND:

PG: Pre-Galvanized HG: Hot Dipped Galvanized Pricing is located in the Anvil H-Block price book.

PROJECT INFORMATION		APPROVAL STAMP
Project:		<input type="checkbox"/> Approved
Address:		<input type="checkbox"/> Approved as noted
Contractor:		<input type="checkbox"/> Not approved
Engineer:		Remarks:
Submittal Date:		
Notes 1:		
Notes 2:		