

FIG. ANVIL 99IBV

Ball Valve with Nut for 9900V Series Valves

FEATURES

Available on following versions:

- Threaded F inlet (ASME B1.20.1 - NPT)
- Solder joint inlet (ASME B16.22)

Can be combined with threaded F or solder joint 9900 series valve.

Air testing according to EN12266-1.

Blow-out proof stem, adjustable packing

- 400 WOG

Working Conditions:

Water (15°F to 260°F)

below 32°F only for water with added anti-freezing fluids

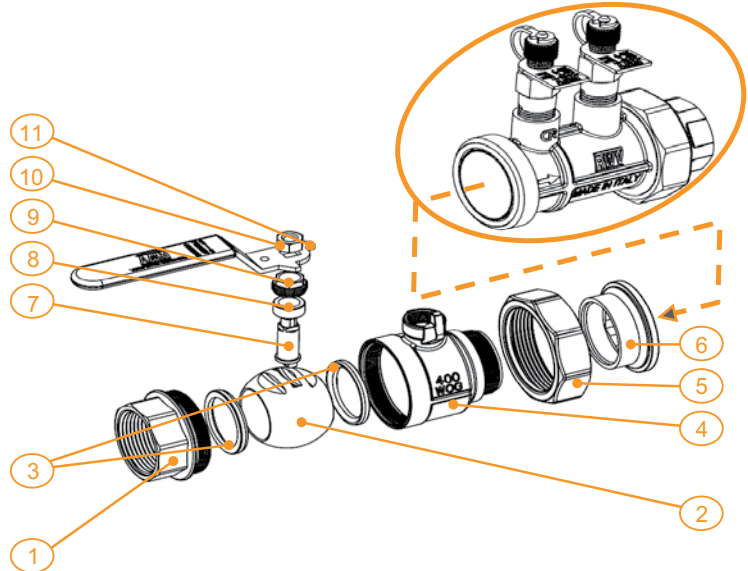
over 212°F only for water with added anti-boiling fluids



MATERIAL SPECIFICATIONS

1. FIXED END: DZR Brass
2. BALL: Chrome Plated DZR Brass
3. SEAT: PTFE
4. BODY: DZR Brass
5. TAIL PIECE NUT: Brass
6. TAIL PIECE: DZR Brass
7. STEM: DZR Brass
8. PACKING RING: PTFE
9. PACKING NUT: Brass
10. NUT: Dacromet Steel
11. HANDLE: Dacromet Steel¹

¹With blue PVC COVER



For additional information on Gruvlok bag and tag coil kit service, contact an Anvil Representative.

PROJECT INFORMATION		APPROVAL STAMP	
Project:		<input type="checkbox"/> Approved	
Address:		<input type="checkbox"/> Approved as noted	
Contractor:		<input type="checkbox"/> Not approved	
Engineer:		Remarks:	
Submittal Date:			
Notes 1:			
Notes 2:			

FIG. ANVIL 99IBV

Ball Valve with Nut for 9900V Series Valves

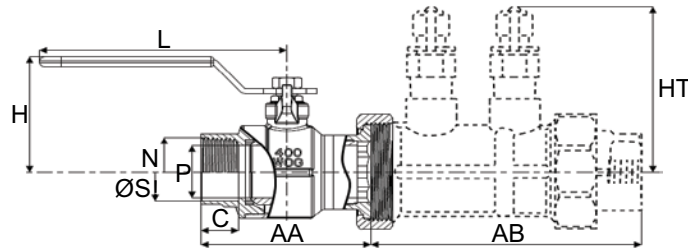


FIGURE ANVIL 99IBV BALL VALVE WITH NUT FOR 9900V SERIES VALVES

Ball Valve Size ¹	N	ØS ²	B ³	P	AA ³	AB ⁴	HV	HT	L	Approx. Wt. Each ⁵	
										99IBV	9900V
In./mm	In./mm	In./mm	In./mm	In./mm	In./mm	In./mm	In./mm	In./mm	In./mm	Lbs./Kg	Lbs./Kg
1/2 15	1/2 15	0.627-0.631 15.93-16.03	0.60/0.51 15.2/13.0	0.50 12.7	2.0/2.0 50.8/50.8	3.0/3.3/2.8 76.2/83.8/71.1	1.6 40.6	2.3 58.4	3.2 81.3	0.50/0.50 0.23/0.23	0.73/0.68 0.33/0.31
3/4LF 20	3/4 20	0.877-0.881 22.28-22.38	0.60/0.75 15.2/19.1	0.50 12.7	2.1/2.3 53.3/58.4	3.4/3.3/3.1 86.4/83.8/78.7	1.6 40.6	2.3 58.4	3.2 81.3	0.53/0.53 0.24/0.24	0.81/0.70 0.37/0.32
3/4 20	3/4 20	0.877-0.881 22.28-22.38	0.60/0.75 15.2/19.1	0.79 20.1	2.4/2.8 61.0/71.1	3.6/3.9/3.6 91.4/99.1/91.4	2.3 58.4	2.6 66.0	3.6 91.4	0.95/0.97 0.43/0.44	1.08/1.00 0.49/0.45
1 25	1 25	1.128-1.131 28.65-28.73	0.71/0.91 18.0/23.1	0.79 20.1	2.6/2.9 66.0/73.7	3.7/4.2/3.8 94.0/106.7/96.5	2.3 58.4	2.6 66.0	3.6 91.4	1.04/1.00 0.47/0.45	1.26/1.09 0.57/0.49
1 1/4 32	1 1/4 32	1.378-1.381 35.00-35.08	0.73/0.97 18.5/24.6	1.26 32.0	3.3/3.7 83.8/94.0	5.2/5.5/5.5 132.1/139.7/139.7	2.8 71.1	2.9 73.7	5.0 127.0	2.41/2.20 1.09/1.00	2.58/2.57 1.17/1.17
1 1/2 40	1 1/2 40	1.628-1.632 41.35-41.45	0.77/1.09 19.6/27.7	1.26 32.0	3.4/3.9 86.4/99.1	5.2/5.9/5.6 132.1/149.9/142.2	2.8 71.1	2.9 73.7	5.0 127.0	2.64/2.47 1.20/1.12	2.78/2.57 1.26/1.17
2 50	2 50	2.128-2.132 54.05-54.15	0.81/1.34 20.6/34.0	1.26 32.0	3.5/4.4 88.9/111.8	6.2/6.1/5.9 157.5/154.9/149.9	2.8 71.1	2.9 73.7	5.0 127.0	2.78/2.78 1.26/1.26	3.36/2.77 1.52/1.17
2HF 50	2 50	2.128-2.132 54.05-54.15	0.81/1.34 20.6/34.0	1.97 50.0	4.3/5.0 109.2/127.0	7.8/-/8.2 198.1-/208.3	3.6 91.4	3.6 91.4	5.6 142.4	6.39/6.46 2.90/2.93	9.06/8.85 4.11/4.01
2 1/2 65	2 1/2 65	2.628-2.633 66.75-68.88	1.18/1.49 30.0/37.8	1.97 50.0	4.7/5.2 119.4/132.1	8.0/-/8.3 203.2-/210.8	3.6 91.4	3.6 91.4	5.6 142.4	7.01/6.68 3.18/3.03	9.34/8.86 4.24/4.02

¹ Also available following 99IBV/9905V combinations: 3/4LF"1/2", 1"β/4", 1 1/2"/1 1/4", 2"/1 1/2", 2"/2 1/2"

² Tolerance field

³ Threaded ends/soldering ends

⁴ Threaded F ends/threaded M ends/soldering ends

⁵ Threaded ends/soldering ends; weight includes cartridge