

FIG. ANVIL 92BPC

DZR Brass Ball Valve with Bypass

FEATURES

- DZR Brass Ball Valve with Bypass
- Threaded F/F with Union End (ASME B1.20.1 - NPT)
- Blow-out Proof Stem
- Adjustable Packing Nut
- Provided with 1 Test Point and Drain Valve

Working Conditions:

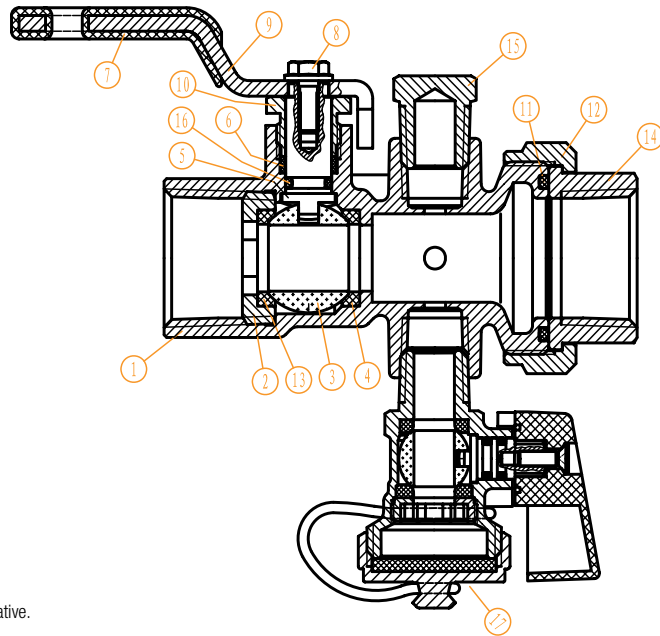
600WOG @ 160°F

Max. Temperature 260°F @ 150psi



MATERIAL SPECIFICATIONS

1. BODY: DZR Brass ASTM C35330
2. RETAINER: Brass ASTM C37700
3. BALL: Chrome Plated Brass ASTM C37700
4. SEAT RING: PTFE
5. STEM: Brass ASTM C37700
6. STEM SEAL: PTFE
7. HANDLE COVER: PVC
8. SCREW: Zinc Plated Steel A304
9. HANDLE: Zinc Plated Steel A304
10. PACKING NUT: Brass ASTM C37700
11. O-RING: EPDM
12. UNION NUT: DZR Brass ASTM C35330
13. SEAT RING: PTFE
14. TAIL PIECE: DZR Brass ASTM C35330
15. PLUG: Brass ASTM C37700
16. STEM O-RING: EPDM
17. DRAIN VALVE: Brass ASTM C37700



For additional information on Gruvlok bag and tag coil kit service, contact an Anvil Representative.

PROJECT INFORMATION		APPROVAL STAMP	
Project:		<input type="checkbox"/> Approved	
Address:		<input type="checkbox"/> Approved as noted	
Contractor:		<input type="checkbox"/> Not approved	
Engineer:		Remarks:	
Submittal Date:			
Notes 1:			
Notes 2:			

FIG. ANVIL 92BPC

DZR Brass Ball Valve with Bypass

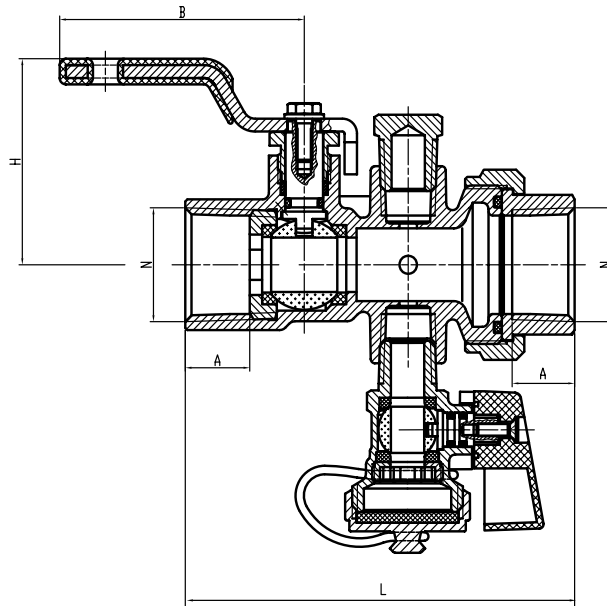


FIGURE ANVIL 92BPC DZR BRASS VALVE WITH BYPASS

Valve Size	N	A	B	H	L	Approx. Wt. Each
<i>In./mm</i>	<i>In./mm</i>	<i>In./mm</i>	<i>In./mm</i>	<i>In./mm</i>	<i>In./mm</i>	<i>Lbs./Kg</i>
1/2 15	1/2 15	0.6 15.2	2.32 58.9	1.76 44.7	3.73 94.7	0.97 0.44
3/4 20	3/4 20	0.6 15.2	2.32 58.9	1.90 48.3	3.69 93.7	1.13 0.51
1 25	1 25	0.7 17.8	4.05 102.9	2.01 51.1	3.95 100.3	1.48 0.67
1 1/4 32	1 1/4 32	0.7 17.8	4.74 120.4	2.52 64.0	4.39 111.5	2.21 1.00
1 1/2 40	1 1/2 40	0.7 17.8	4.74 120.4	2.61 66.3	4.81 122.2	2.80 1.27
2 50	2 50	0.7 17.8	5.58 141.7	3.46 87.9	5.24 133.1	4.33 1.96

For additional information on Gruklok bag and tag coil kit service, contact an Anvil Representative.