

FIG. ANVIL 92ST

DZR Brass Ball Valve with Strainer

FEATURES

- DZR brass ball valve with strainer
- Threaded F/F with union end (ASME B1.20.1 - NPT) (F/M with union end for 3/4", 1" and 2")
- Air testing according EN12266-1
- Blow-out proof stem
- Stainless steel strainer (20 mesh)
- Available with optional test point and/or drain
- 600 WOG (400 WOG for 1 1/2" and 2")

Working Conditions:

Water (15°F to 260°F)

below 32°F only for water with added anti-freezing fluids

over 212°F only for water with added anti-boiling fluids



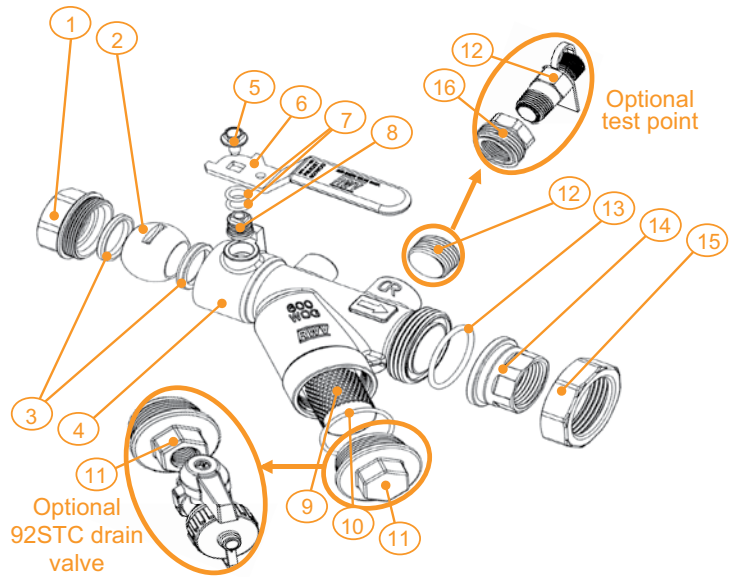
MATERIAL SPECIFICATIONS

1. FIXED END: DZR Brass ASTM C35330
2. BALL: Chrome Plated DZR Brass ASTM C35330
3. SEAT: PTFE
4. BODY: DZR Brass ASTM C35330
5. SCREW: Geomet Steel
6. HANDLE: Geomet Steel¹
7. O-RING: EPDM Perox
8. STEM: DZR Brass ASTM C35330
9. STRAINER: Stainless Steel A304
10. PLUG GASKET: EPDM Perox
11. PLUG: DZR Brass ASTM C35330
12. PLUG GASKET: EPDM Perox
13. TEST POINT/PLUG²: DZR Brass ASTM C35330
14. UNION END: DZR Brass ASTM C35330
15. UNION NUT: Brass ASTM B283 C37700
16. FITTING³: DZR Brass

¹With blue PVC cover

²Test point with EPDM Perox gaskets and polypropylene tie

³Excluded 1/2" and 3/4"



For additional information on Gruvlok bag and tag coil kit service, contact an Anvil Representative.

PROJECT INFORMATION		APPROVAL STAMP	
Project:		<input type="checkbox"/> Approved	
Address:		<input type="checkbox"/> Approved as noted	
Contractor:		<input type="checkbox"/> Not approved	
Engineer:		Remarks:	
Submittal Date:			
Notes 1:			
Notes 2:			

FIG. ANVIL 92ST

DZR Brass Ball Valve with Strainer

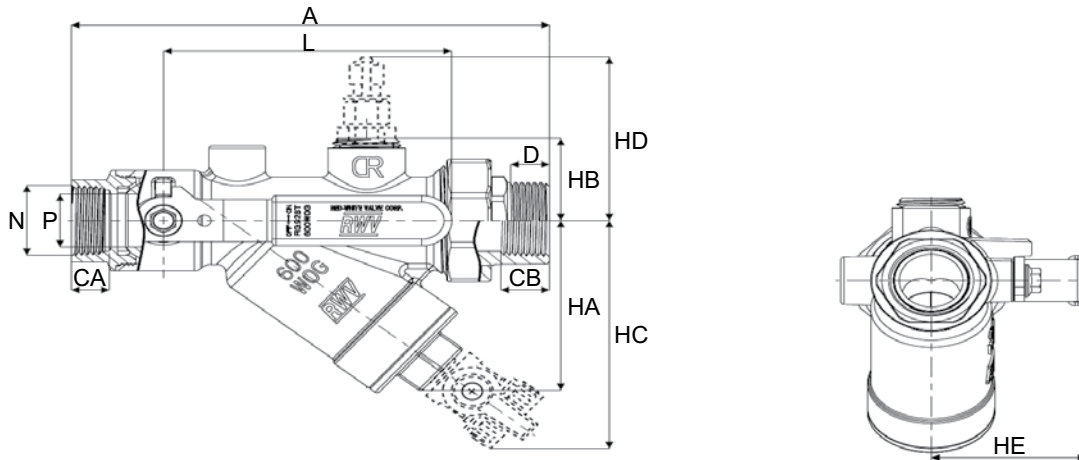


FIGURE ANVIL 92ST DZR BRASS BALL VALVE WITH STRAINER

Valve Size	N	A	CA/CB	D	P	HE	L	HA/HC	HB/HD	Approx. Wt. Each ¹
In./mm	In./mm	In./mm	In./mm	In./mm	In./mm	In./mm	In./mm	In./mm	In./mm	Lbs./Kg
1/2 15	1/2 15	4.4 111.8	0.45/0.55 11.4/14.0	— —	0.59 15.0	1.8 45.7	3.6 91.4	1.5/3.1 38.1/78.7	0.8/2.2 20.3/55.9	1.09/1.43 0.49/0.65
3/4 20	3/4 20	5.0 127.0	0.62/- 15.7/-	0.55 14.0	0.59 15.0	1.8 45.7	3.6 91.4	1.5/3.1 38.1/78.7	0.8/2.2 20.3/55.9	1.15/1.49 0.52/0.68
3/4 F 20	3/4 20	5.9 149.9	0.47/0.55 11.9/14.0	— —	0.78 19.8	1.9 48.3	3.6 91.4	2.6/3.5 66.0/88.9	1.3/2.6 33.0/66.0	2.45/2.72 1.11/1.23
1 25	1 25	6.7 170.2	0.70/- 17.8/-	0.70 17.8	0.78 19.8	1.9 48.3	3.6 91.4	2.6/3.5 66.0/88.9	1.3/2.6 33.0/66.0	2.55/2.88 1.16/1.31
1 1/4 32	1 1/4 32	8.5 215.9	0.85/0.71 21.6/18.0	— —	1.26 32.0	2.3 58.4	5.0 127.0	3.7/4.4 94.0/111.8	1.4/2.9 35.6/73.7	5.80/6.16 2.63/2.79
1 1/2 40	1 1/2 40	10.8 274.3	0.85/0.84 21.6/21.3	— —	1.57 39.9	2.9 73.7	5.6 142.2	4.2/4.6 106.7/116.8	1.7/3.2 43.2/81.3	7.59/7.92 3.44/3.59
2 50	2 50	11.2 284.5	0.81/- 20.6/-	1.22 31.0	1.57 39.9	2.9 73.7	5.6 142.2	4.2/4.6 106.7/116.8	1.7/3.2 43.2/81.3	8.09/8.42 3.67/3.82

¹ Weight for standard version/Weight for version with drain ball valve and test points

For additional information on Gruvlok bag and tag coil kit service, contact an Anvil Representative.