

FIG. 161N LF & FIG. 1615 LF

Lead Free* Brass Ball Valves



Lead Free* Brass Ball Valve – NPT
161N LF 1/4" - 4" Full Port
Connection: ANSI B 1.20.1 - Female/Female



Lead Free* Brass Ball Valve – Solder
1615 LF 1/2" - 3" Full Port
Connection: ANSI B 16.18 - Solder Ends



FEATURES

- Low Cost, Lead Free*, Ball Valve Solution
- Pressure Rating: 600psi WOG - 150psi WSP
- Temperature Rating: 366° F
- Blow Out Proof Stem
- Chrome Plated Brass Ball
- P.T.F.E. Seats & Double O-Ring Stem Packing

* Lead free refers to the wetted surface of pipe, fittings and fixtures in potable water systems that have a weighted average lead content = 0.25%. Source: California Health & Safety Code (116875). Vermont Act 193.

MATERIAL SPECIFICATIONS

- BODY: Brass CW 510L
- END CONNECTION: Brass CW 510L
- BALL: (1/4" - 2") Brass CW 510L – Chrome Plated; (2 1/2" - 4") Steel - Chrome Plated
- STEM: Brass CW 510L
- HANDLE: Steel
- BALL SEAT: P.T.F.E.
- THRUST WASHER: P.T.F.E.
- O-RING: NBR & FKM
- NUT: Steel

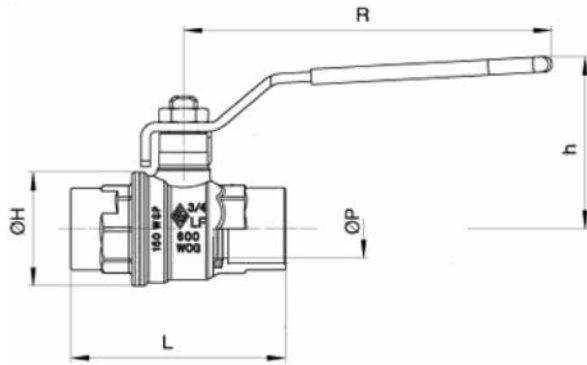
AVAILABLE OPTIONS

Lever Handle, Lock Device, Memory Stop, Stem Extension, and "T" Handle

PROJECT INFORMATION		APPROVAL STAMP	
Project:		<input type="checkbox"/> Approved	
Address:		<input type="checkbox"/> Approved as noted	
Contractor:		<input type="checkbox"/> Not approved	
Engineer:		Remarks:	
Submittal Date:			
Notes 1:			
Notes 2:			

FIG. 161N LF & FIG. 1615 LF

Lead Free* Brass Ball Valves



* Lead free refers to the wetted surface of pipe, fittings and fixtures in potable water systems that have a weighted average lead content = 0.25%. Source: California Health & Safety Code (116875). Vermont Act 193.

DIMENSIONS										
Valve Code	Size	ØP	ØH	L	h	R	Cv	WOG	WSP	Approx. Wt. Ea.
	in./mm	in./mm	in./mm	in./mm	in./mm	in./mm				Lbs./Kg
161N LF FULL PORT THREADED END	1/4	0.39	0.90	2.02	1.65	3.86	6.29	600	150	0.33
	8	9.9	22.9	51.3	41.9	98.0				0.15
	3/8	0.39	0.90	2.02	1.65	3.86	6.99	600	150	0.30
	10	9.9	22.9	51.3	41.9	98.0				0.14
	1/2	0.55	1.18	2.22	1.69	3.78	19.00	600	150	0.42
	15	14.0	30.0	56.4	42.9	96.0				0.19
	3/4	0.75	1.42	2.46	2.22	4.76	34.50	600	150	0.71
	20	19.1	36.1	62.5	56.4	120.9				0.32
	1	0.94	1.71	3.01	2.32	4.76	50.18	600	150	0.99
	25	24.0	43.4	76.5	58.9	120.9				0.45
	1 1/4	1.19	2.09	3.37	2.85	5.94	103.70	600	150	1.74
	32	30.2	53.1	85.6	74.4	150.9				0.79
	1 1/2	1.50	2.56	3.70	3.09	5.94	268.40	600	150	2.45
	40	38.1	65.0	94.0	78.5	150.9				1.11
	2	1.95	3.39	4.33	3.70	6.30	309.20	600	150	4.85
	50	49.5	86.1	110.0	94.0	160.0				2.20
2 1/2	2.44	4.09	5.16	4.59	8.07	624.00	600	150	8.22	
65	62.0	103.9	131.1	116.6	205.0				3.73	
3	2.99	4.96	5.94	4.98	8.07	1,009.00	600	150	13.07	
80	75.9	126.0	150.9	126.5	205.0				5.93	
4	3.94	6.54	7.60	6.54	10.31	1,622.00	600	150	27.34	
100	100.1	166.1	193.0	166.1	261.9				12.40	
1615 LF FULL PORT SOLDERED END	1/2	0.55	1.22	2.19	1.77	3.78	18.90	600	150	0.39
	15	14.0	31.0	55.6	45.0	96.0				0.18
	3/4	0.75	1.46	2.78	2.22	4.76	34.22	600	150	0.63
	20	19.1	37.1	70.6	56.4	120.9				0.29
	1	0.94	1.76	3.37	2.32	4.76	49.88	600	150	0.95
	25	24.0	44.7	85.6	58.9	120.9				0.43
	1 1/4	1.19	2.11	3.86	2.85	5.94	103.00	600	150	1.79
	32	30.2	53.6	98.0	72.4	150.9				0.81
	1 1/2	1.50	2.64	4.48	3.09	5.94	307.00	600	150	2.58
	40	38.1	67.1	113.8	78.5	150.9				1.17
	2	1.95	3.39	5.33	3.70	6.30	307.00	600	150	5.03
	50	49.5	86.1	135.4	94.0	160.0				2.28
2 1/2	2.44	4.09	6.14	4.59	8.07	622.00	600	150	8.80	
65	62.0	103.9	156.0	116.6	205.0				3.99	
3	2.99	4.96	7.17	4.98	8.07	1,005.00	600	150	12.87	
80	75.9	126.0	182.1	126.5	205.0				5.84	