

## Fig. 777

## Swivel Joint Connector

**Size Range:** 3/8" rod diameter, Service Line: 1" through 4"

**Material:** Carbon steel

**Finish:** Zinc Plated

**Restraint Service:** Used to restrain pipe systems. A lateral restraint connector that is attached to a structure or structural attachment for a branch line restraint assembly, consisting of a Figure 69 and Figure 773 "Surge Restrainer."

**Hanger Service:** Used to adapt 3/8" threaded rod to angled building structures.

**Approvals:** UL Listed (UL 203A), cULus Listed (UL203). Complies with hanging and seismic bracing requirements of NFPA-13.

**Features:**

- Comes assembled and ready for installation
- 3/8-16UNC threaded hole to receive threaded rod

**Installation Instructions:**

1. Install upper 3/8" mounting bolt into structure or structural attachment (restraint only) and tighten upper hex nut with split ring washer, include an additional hex nut to lock the upper nuts into place or thread the upper mounting bolt into a 700 Series attachment (restraint only).
2. Screw the hanger rod into the threaded hex union until it bottoms. Back off one turn and securely tighten rod nut to assure proper performance
3. Must be installed within 6 inches of a vertical hanger, when used as a component of a restraint device.
4. Adjust angle as necessary.

**Ordering:** Specify rod size, figure number, name and finish.

**Notes:**

1. For fire protection installations - sway braces are intended to be installed in accordance with NFPA-13 and Anvil's installations instructions and local codes.
2. The required type, number and size of fasteners used for the structural attachment fitting shall be in accordance with NFPA-13.
3. To assure proper performance, installer is responsible for:
  - a. Structural integrity of attachment member to safely handle load requirements.
  - b. Securely tightening the component on the brace pipe.
4. Anvil International® brand bracing components are designed to be compatible ONLY with other Anvil International® brand bracing components, resulting in a Listed seismic bracing assembly.
5. Updated UL listing information may be viewed at [www.ul.com](http://www.ul.com) and FM approvals may be viewed at [www.fmglobal.com](http://www.fmglobal.com).

**Disclaimer:** Anvil International ("Anvil") does not provide any warranties and specifically disclaims any liability whatsoever with respect to Anvil bracing products and components that are used in combination with products, parts or systems not manufactured or sold by Anvil. In no event shall Anvil be liable for any incidental, direct, consequential, special or indirect damages or lost profits where non-Anvil bracing components have been, or are used.

For more detailed information on Anvil's Seismic Sway Brace for Fire Sprinkler Systems, see the OSHPD Manual in the Catalog Section of the Anvil Website, [www.anvilintl.com/literature/catalogs.aspx](http://www.anvilintl.com/literature/catalogs.aspx)

Seis Brace® Seismic Fire Protection Design Tool may be accessed at [www.seisbrace.com](http://www.seisbrace.com)

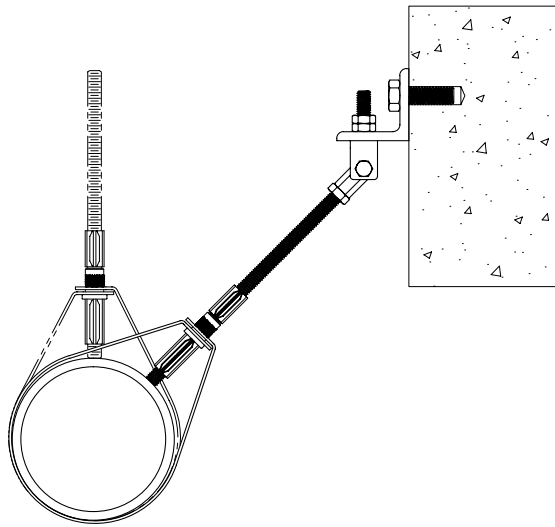


PROJECT INFORMATION		APPROVAL STAMP	
Project:		<input type="checkbox"/> Approved	
Address:		<input type="checkbox"/> Approved as noted	
Contractor:		<input type="checkbox"/> Not approved	
Engineer:		Remarks:	
Submittal Date:			
Notes 1:			
Notes 2:			

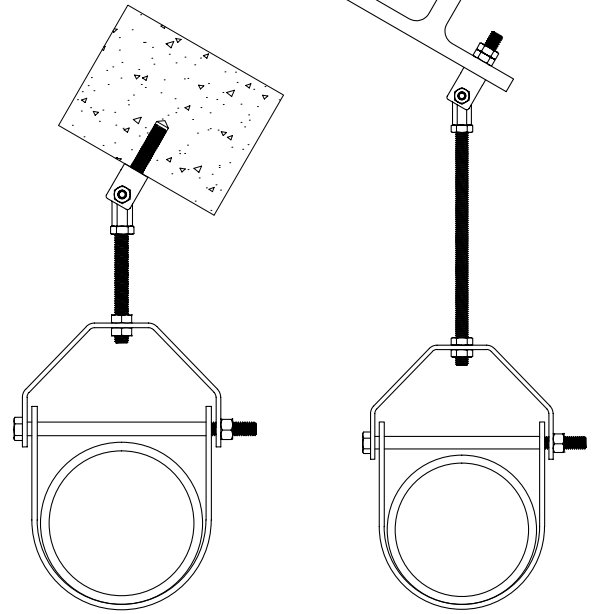
## Fig. 777

## Swivel Joint Connector (cont.)

FIG. 777: LOADS (LBS) • WEIGHT (LBS) • DIMENSIONS (IN)			
Rod Size	UL Max Seismic Restraint Load (UL 203a)	UL Max Hanger Load (UL 203)	Max Hanger Load
3/8	1,000	Up to 4" Pipe	250



**Branch Line Restraint Assembly**



**Hanger Assembly**