

Fig. 773

Surge Restrainer

Size Range: 3/4" thru 2" Swivel Ring Hanger, Figure 69

Material: Carbon steel

Finish: Zinc Plated

Service: Designed to be used with Anvil Figure 69, Adjustable Swivel Ring Hanger, for bracing steel service pipe against up thrust during a seismic disturbance or sprinkler head activation.

Approvals: UL and ULC Listed (UL 203A:2009). Complies with seismic bracing requirements of NFPA-13.

Features:

- One universal size accommodates ring hangers from 3/4" to 2".
- Quick and simple to install by just snapping the surge restrainer into a locking position onto the ring hanger.

Installation Instructions:

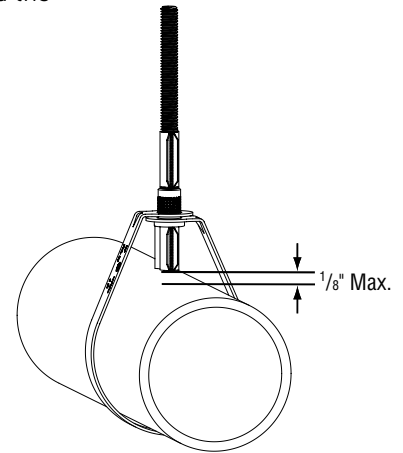
1. The threaded hanger rod must protrude a minimum of 1/2" beyond the bottom of the knurl nut.
2. Snap the surge restrainer onto the threaded rod above and below the knurl nut.
3. When in the proper locking position, the maximum gap between the surge restrainer and the steel service pipe is an 1/8".

Ordering: Specify figure number and name.



FIG. 773: LOADS (LBS) • WEIGHT (LBS) • DIMENSIONS (IN)			
Service Pipe Size	Rod Size	UL Max Load	Weight
3/4 thru 2	3/8	300	.08

For more detailed information on Anvil's Seismic Sway Brace for Fire Sprinkler Systems, see the OSHPD Manual in the Catalog Section of the Anvil Website, www.anvilintl.com/literature/catalogs.aspx Seis Brace® Seismic Fire Protection Design Tool may be accessed at www.seisbrace.com



Notes:

1. For fire protection installations - sway braces are intended to be installed in accordance with NFPA-13 and Anvil's installations instructions and local codes.
2. The required type, number and size of fasteners used for the structural attachment fitting shall be in accordance with NFPA-13.
3. To assure proper performance, installer is responsible for:
 - a. Structural integrity of attachment member to safely handle load requirements.
 - b. Securely tightening the component on the brace pipe.
4. Anvil International® brand bracing components are designed to be compatible ONLY with other Anvil International® brand bracing components, resulting in a Listed seismic bracing assembly.
5. Updated UL listing information may be viewed at www.ul.com and FM approvals may be viewed at www.fmglobal.com.

Disclaimer: Anvil International ("Anvil") does not provide any warranties and specifically disclaims any liability whatsoever with respect to Anvil bracing products and components that are used in combination with products, parts or systems not manufactured or sold by Anvil. In no event shall Anvil be liable for any incidental, direct, consequential, special or indirect damages or lost profits where non-Anvil bracing components have been, or are used.

PROJECT INFORMATION		APPROVAL STAMP	
Project:		<input type="checkbox"/> Approved	
Address:		<input type="checkbox"/> Approved as noted	
Contractor:		<input type="checkbox"/> Not approved	
Engineer:		Remarks:	
Submittal Date:			
Notes 1:			
Notes 2:			