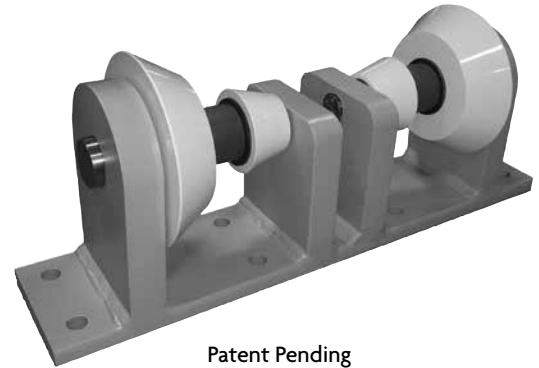


Fig. 76CP

Non-Conductive Roller

Description: Fabricated roller for large diameter pipe requiring isolation due to cathodic protection. Ten standard sizes for pipe of 30" - 72" and loads up to 60,000 lbs. Smaller sizes are available upon request. The base can be bolted or welded to the support structure. Alternative attachment configurations are available upon request. Contact Anvil EPS division 1-855-EPS-PIPE for further information and how to order.

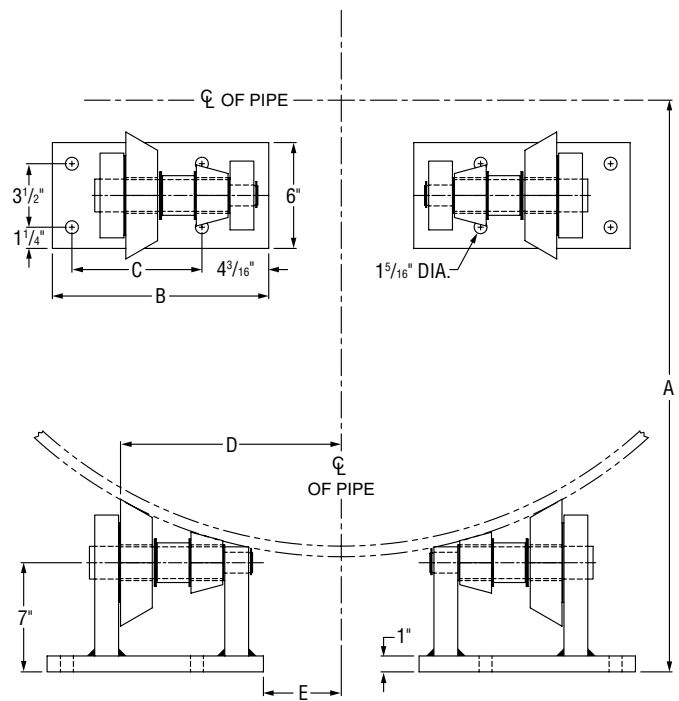
Installation: The two piece fabricated roller is designed for one of the two rollers on each side of the assembly to be in contact with the pipe. Patent pending technology in the rollers isolate the pipe from the assembly. Used for piping cathodic protection.



Patent Pending

FIG. 76CP: LOADS (LBS) • DIMENSIONS (IN)						
Steel Pipe Size	Max Load	A	B	C	D	E
30	60,000	23 ¹ / ₈	13 ⁵ / ₈	8 ³ / ₁₆	8 ¹⁵ / ₁₆	0
36		26			9 ¹⁵ / ₁₆	1
42		28 ⁷ / ₈			10 ¹⁵ / ₁₆	2
46		30 ³ / ₄			11 ¹¹ / ₁₆	2 ³ / ₄
46	60,000	31 ³ / ₁₆	16 ¹ / ₄	10 ¹³ / ₁₆	12 ¹³ / ₁₆	1 ¹ / ₄
48		32 ¹ / ₁₆			13 ¹ / ₄	1 ¹¹ / ₁₆
54		34 ¹⁵ / ₁₆			14 ⁵ / ₁₆	2 ³ / ₄
60		37 ¹¹ / ₁₆			15 ¹ / ₂	3 ¹⁵ / ₁₆
66		40 ⁹ / ₁₆			16 ⁹ / ₁₆	5
72		43 ³ / ₈			17 ⁵ / ₈	6 ¹ / ₁₆

FIG. 76CP: LOADS (LBS) • DIMENSIONS (IN)						
C.I./D.I. Pipe Size	Max Load	A	B	C	D	E
30	60,000	24 ³ / ₁₆	13 ⁵ / ₈	8 ³ / ₁₆	9 ¹ / ₁₆	1 ¹ / ₄
36		27 ³ / ₁₆			10 ³ / ₁₆	1 ³ / ₈
42		30 ¹ / ₈			11 ⁵ / ₁₆	2 ³ / ₈
48	60,000	33 ¹ / ₂	16 ¹ / ₄	10 ¹³ / ₁₆	13 ⁹ / ₁₆	2



PROJECT INFORMATION		APPROVAL STAMP	
Project:		<input type="checkbox"/> Approved	
Address:		<input type="checkbox"/> Approved as noted	
Contractor:		<input type="checkbox"/> Not approved	
Engineer:		Remarks:	
Submittal Date:			
Notes 1:			
Notes 2:			