

Fig. 590SS

Adjustable Clevis for Ductile or Cast Iron Pipe

Size Range: 4" through 12" ductile or cast iron pipe

Material: 304 stainless steel

Service: Recommended for the suspension of **stationary** ductile iron or cast iron pipe.

Approvals: Complies with Federal Specification A-A-1192A (Type 1)

WW-H-171-E (Type 1), ANSI/MSS SP-69 and MSS SP-58 (Type 1).

Installation: Hanger rod nut above clevis must be tightened securely to assure proper hanger performance.

Adjustment: Vertical adjustment without removing pipe may be made from 1 ¹⁵/₁₆" through 3 ³/₁₆", varying with the size of the clevis. Tighten upper nut after adjustment.

Ordering: Specify pipe size, figure number and name.

Note: Figure 590 typically feature a Figure 260SS Top Component.

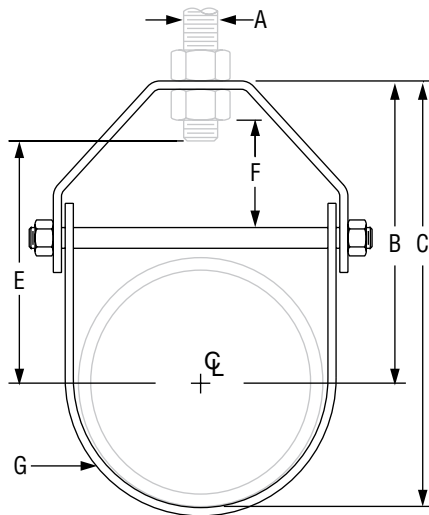


FIG. 590SS: LOADS (LBS) • WEIGHT (LBS) • DIMENSIONS (IN)

D.I./C.I. Pipe Size	Max Load		Weight	D.I./C.I. Pipe O.D.	Rod Size A	B	C	E	F	G Width Lower
	450° F	650° F								
4	1,215	1,095	1.64	4.80	5/8	5 3/4	8 3/16	4 3/4	1 15/16	1 1/4
6	1,650	1,485	4.26	6.90	3/4	7 1/8	10 9/16	5 15/16		1 1/2
8	1,700	1,530	6.70	9.05		7/8	8 5/8	13 3/16	7 1/2	2 1/4
10	1,750	1,575	9.73	11.10	10 1/8		15 11/16	8 3/4	2 5/16	
12	1,850	1,665	13.64	13.20	12 1/16		18 11/16	10 11/16	2 7/8	2

PROJECT INFORMATION		APPROVAL STAMP	
Project:		<input type="checkbox"/> Approved	
Address:		<input type="checkbox"/> Approved as noted	
Contractor:		<input type="checkbox"/> Not approved	
Engineer:		Remarks:	
Submittal Date:			
Notes 1:			
Notes 2:			