

HBS Series

PG, HG

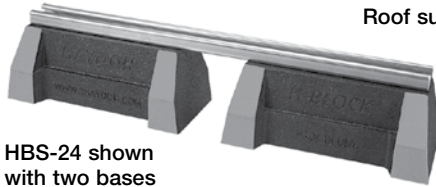
HBS-SUPPORT WITH STEEL CHANNEL



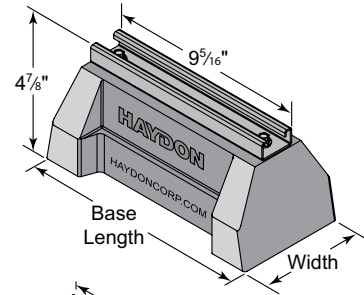
Like all of the H-Block supports, the HBS Series is perfect for supporting natural gas and refrigeration piping systems, cable tray, electrical conduit, multiple lines, HVAC equipment and many other applications.

The HBS Series provides a longer mounting surface with strut lengths up to 46³/₈". Standard strut mount pipe clamps are used to secure the pipes.

The HBS Series is suitable for installation on most types of roofing material or other flat surfaces. Roof supports come pre-assembled.



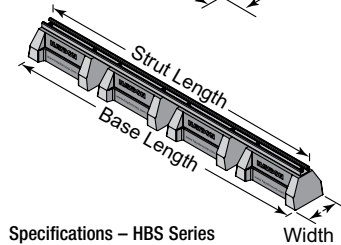
HBS-24 shown with two bases



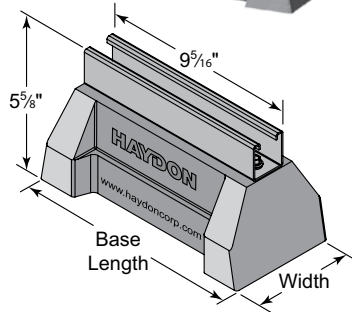
HBS-SUPPORT WITH 1³/₁₆" H-164 CHANNEL

Model No.	Height	Width	No. of Bases Required	Strut Length	Base Length	Weight (Lbs)	Uniform Load Capacity (Lbs)*
<input type="checkbox"/> HBS-10-H-164-PG	4 ⁷ / ₈ " (124mm)	5" (127mm)	1	9.312" (237mm)	10 ⁷ / ₈ " (276mm)	5.62	1,500*
<input type="checkbox"/> HBS-24-H-164-PG			2	22.375" (568mm)	24" (610mm)	11.56	3,000*
<input type="checkbox"/> HBS-36-H-164-PG			3	34.375" (873mm)	36" (914mm)	17.41	4,500*
<input type="checkbox"/> HBS-48-H-164-PG			4	46.375" (1178mm)	48" (1219mm)	23.25	6,000*

* This load is only for the capacity of the components in this assembly. Please consult roofing manufacturer or engineer for roof load capacity



Specifications – HBS Series H-Block Support with: 1³/₁₆" H-164 Channel, or 1⁵/₈" H-132 Channel Material - 100% recycled rubber, UV resistant



HBS-SUPPORT WITH 1⁵/₈" H-132 CHANNEL

Model No.	Height	Width	No. of Bases Required	Strut Length	Base Length	Weight (Lbs)	Uniform Load Capacity (Lbs)*
<input type="checkbox"/> HBS-10-H-132-PG	5 ⁵ / ₈ " (143mm)	5" (127mm)	1	9.312" (237mm)	10 ⁷ / ₈ " (276mm)	6.26	1,500*
<input type="checkbox"/> HBS-24-H-132-PG			2	22.375" (568mm)	24" (610mm)	13.10	3,000*
<input type="checkbox"/> HBS-36-H-132-PG			3	34.375" (873mm)	36" (914mm)	19.77	4,500*
<input type="checkbox"/> HBS-48-H-132-PG			4	46.375" (1178mm)	48" (1219mm)	26.44	6,000*

* This load is only for the capacity of the components in this assembly. Please consult roofing manufacturer or engineer for roof load capacity

LEGEND:

PG: Pre-Galvanized HG: Hot Dipped Galvanized Pricing is located in the Anvil H-Block price book.

PROJECT INFORMATION		APPROVAL STAMP	
Project:		<input type="checkbox"/> Approved	
Address:		<input type="checkbox"/> Approved as noted	
Contractor:		<input type="checkbox"/> Not approved	
Engineer:		Remarks:	
Submittal Date:			
Notes 1:			
Notes 2:			