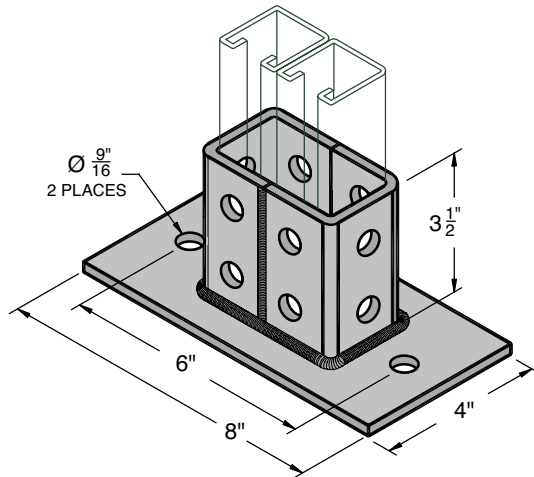


AS 2064 EG, GR

DOUBLE COLUMN POST BASE

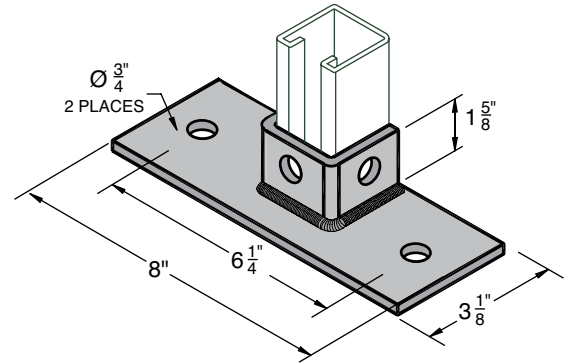


Use with AS 100, AS 200 BTB, AS 200 STS, AS 200 BTS, & AS 200 STSR

Std Pkg 5 - Wt./100 pcs: 311 Lbs.

AS 3013FL EG, GR

SINGLE POST BASE

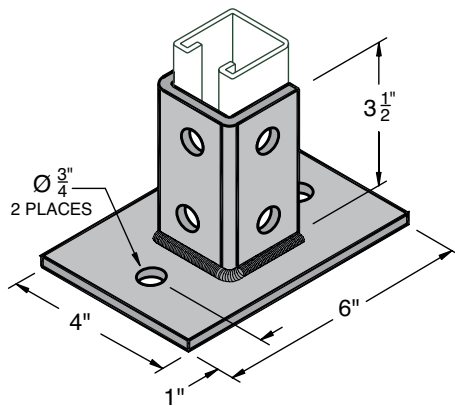


Use with AS 200 & AS 210

Std Pkg 10 - Wt./100 pcs: 230 Lbs.

AS 3025 EG, GR

SINGLE POST BASE

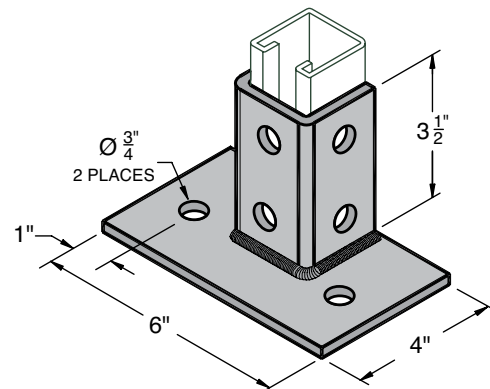


Use with AS 200 & AS 210

Std Pkg 10 - Wt./100 pcs: 358 Lbs.

AS 3025FL EG, GR

SINGLE POST BASE



Use with AS 200 & AS 210

Std Pkg 10 - Wt./100 pcs: 312 Lbs.

LEGEND:

GR: Powder Coated Supr-Green **EG:** Electro-Galvanized **PG:** Pre-Galvanized **AL:** Aluminum **HG:** Hot Dipped Galvanized **PL:** Plain **SS:** Stainless Steel **ZTC:** Zinc Trivalent Chromium
Stainless Steel (**SS**), Zinc Trivalent Chromium (**ZTC**) and Hot Dipped Galvanized (**HG**) are specialty finishes. Pricing is located in the Specialty Strut Section of the Anvil-Strut price book.

PROJECT INFORMATION		APPROVAL STAMP	
Project:		<input type="checkbox"/> Approved	
Address:		<input type="checkbox"/> Approved as noted	
Contractor:		<input type="checkbox"/> Not approved	
Engineer:		Remarks:	
Submittal Date:			
Notes 1:			
Notes 2:			