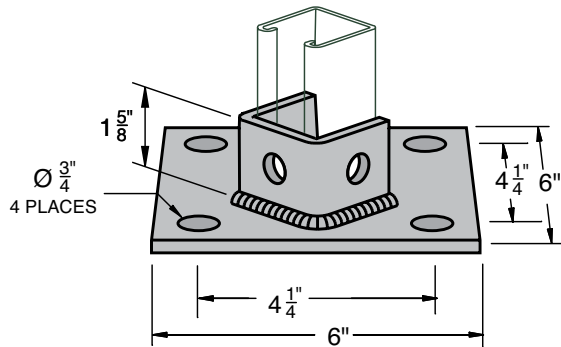


AS 3013

EG, GR

SINGLE POST BASE



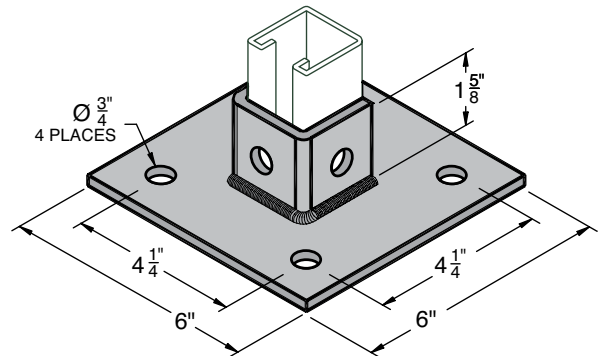
Use with AS 200 & AS 210

Std Pkg 10 - Wt/100 pcs: 307 Lbs.

AS 3013SQ

EG, GR

SINGLE POST BASE



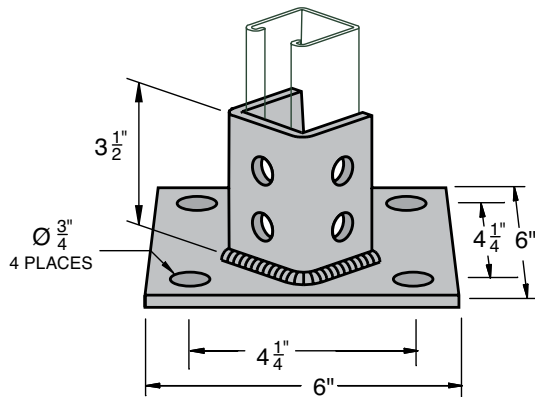
Use with AS 200 & AS 210

Std Pkg 5 - Wt/100 pcs: 314 Lbs.

AS 3033

EG, GR, ZTC

SINGLE POST BASE



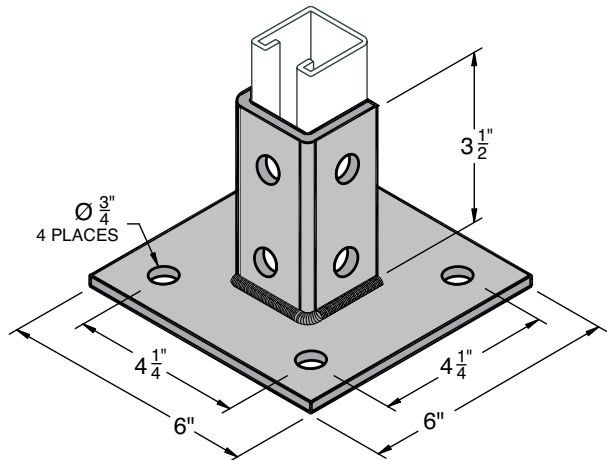
Use with AS 200 & AS 210

Std Pkg 10 - Wt/100 pcs: 373 Lbs.

AS 3033SQ

EG, GR, ZTC

SINGLE POST BASE



Use with AS 200 & AS 210

Std Pkg 10 - Wt/100 pcs: 392 Lbs.

LEGEND:

GR: Powder Coated Supr-Green **EG:** Electro-Galvanized **PG:** Pre-Galvanized **AL:** Aluminum **HG:** Hot Dipped Galvanized **PL:** Plain **SS:** Stainless Steel **ZTC:** Zinc Trivalent Chromium
Stainless Steel (**SS**), Zinc Trivalent Chromium (**ZTC**) and Hot Dipped Galvanized (**HG**) are specialty finishes. Pricing is located in the Specialty Strut Section of the Anvil-Strut price book.

PROJECT INFORMATION		APPROVAL STAMP
Project:		<input type="checkbox"/> Approved
Address:		<input type="checkbox"/> Approved as noted
Contractor:		<input type="checkbox"/> Not approved
Engineer:		Remarks:
Submittal Date:		
Notes 1:		
Notes 2:		