

## Fig. 187

## Two Hole 90° Side Mount Strap

**Size Range:** 3/4" through 2"

**Finish:** Zinc Plated Steel (Hot-Dip Galvanized optional)

**Service:** Hanger for CPVC pipe in the horizontal position on the bottom of structural wood beams and Steel 20 Ga. (min.) (Fig. A). *Can be used as a restrainer, only in Steel 20 Ga. (min) (Fig. B).* During installation, adjust hanger mounting flanges such that pipe contacts both mounting surface and hanger, minimizing vertical pipe movement.

**Approvals:** UL and ULC Listed.

**Installation:**

- Snap hanger over pipe.
- Secure hanger to mounting surface with screws provided.
- Do not anchor tightly to mounting surface. Pipe must be allowed to move freely through hanger.
- Steel applications require two (2) #14 x 1" hex washer head self-drilling TEK screws. Not Supplied. Part Number STD-0090.

**Features:**

- Beveled edge design helps protect the CPVC pipe from any rough surface.
- Easily attaches to wood structure with #10 x 1" hex washer head self threading screw supplied with product. No pre-drilling required.

**Ordering:** Specify CPVC pipe size, figure number and description.

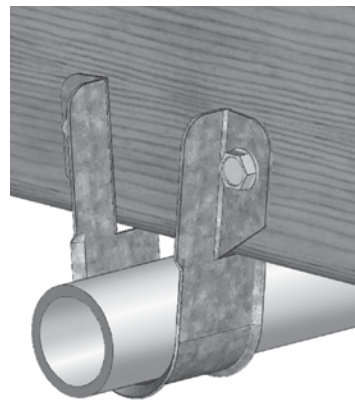
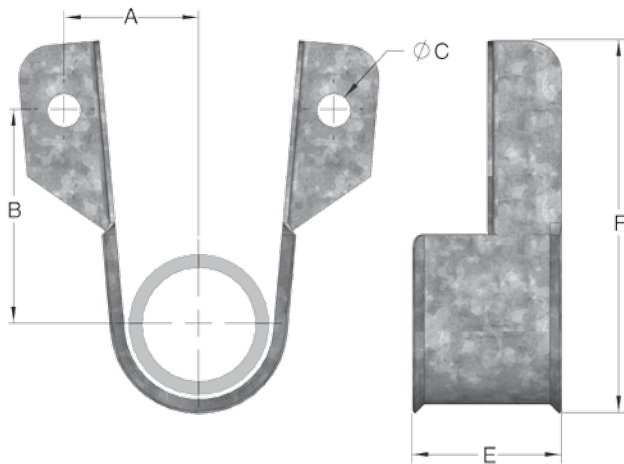


Fig. A

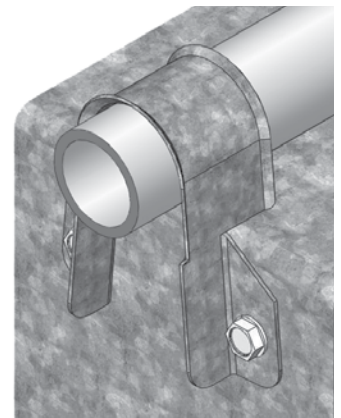


Fig. B

**FIG. 187: WEIGHT (LBS) • DIMENSIONS (IN)**

CPVC Pipe Size	A	B	øC	E	F	Max. Hanger Spacing (FT.)	Approx. Weight/100 (lbs)
3/4	1	1½	¼	1⅛	2¾	5½	5
1	1⅛	1½	¼	1⅛	2 <sup>13</sup> / <sub>16</sub>	6	6
1¼	1 <sup>5</sup> / <sub>16</sub>	1¾	¼	1⅛	3¼	6½	7
1½	1½	1 <sup>7</sup> / <sub>8</sub>	¼	1⅛	3½	7	8
2	1¾	2	¼	1⅛	3 <sup>7</sup> / <sub>8</sub>	8	9

PROJECT INFORMATION		APPROVAL STAMP	
Project:		<input type="checkbox"/> Approved	
Address:		<input type="checkbox"/> Approved as noted	
Contractor:		<input type="checkbox"/> Not approved	
Engineer:		Remarks:	
Submittal Date:			
Notes 1:			
Notes 2:			