

## Fig. 185

## One Hole Pipe Strap

**Size Range:** 3/4" through 2"

**Finish:** Zinc Plated Steel (Hot-Dip Galvanized optional)

**Service:** Hanger for CPVC pipe in the horizontal position on the side of structural wood beams and Steel 20 Ga. (min) with hanger tab in the upward position only (Fig. A). It can also be used as a guide to limit movement of vertical CPVC pipe with the tab in the horizontal position.

**Approvals:** UL and ULC Listed.

**Installation:**

- Place hanger over pipe.
- Secure hanger to mounting surface with screws provided.
- Steel applications require one (1) #14 x 1" hex washer head self-drilling TEK screw. Not Supplied. Part Number STD-0090.

**Features:**

- Beveled edge design helps protect the CPVC pipe from any rough surface.
- Easily attaches to wood structure with #10 x 1" hex washer head self threading screw supplied with product. No pre-drilling required.

**Ordering:** Specify CPVC pipe size, figure number and description.

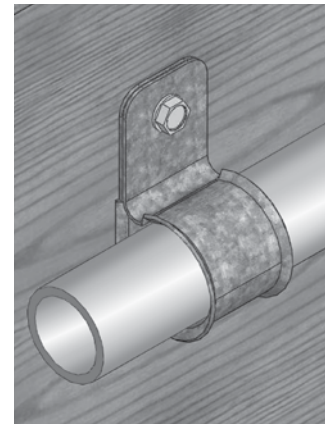
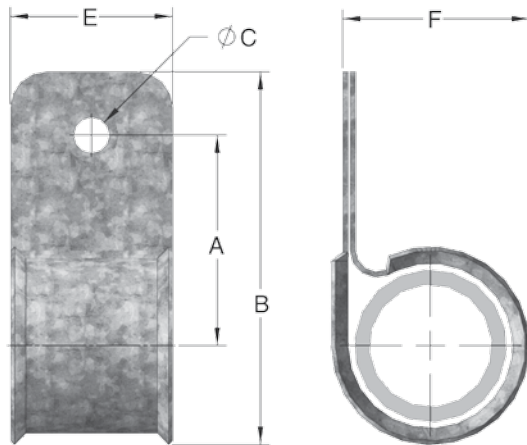


Fig. A

**FIG. 185: WEIGHT (LBS) • DIMENSIONS (IN)**

CPVC Pipe Size	A	B	øC	E	F	Max. Hanger Spacing (FT.)	Approx. Weight/100 (lbs)
3/4	1 <sup>7</sup> / <sub>16</sub>	2 <sup>1</sup> / <sub>2</sub>	1/4	1 <sup>1</sup> / <sub>8</sub>	1 <sup>1</sup> / <sub>4</sub>	5 <sup>1</sup> / <sub>2</sub>	8
1	1 <sup>3</sup> / <sub>4</sub>	2 <sup>7</sup> / <sub>8</sub>	1/4	1 <sup>1</sup> / <sub>8</sub>	1 <sup>1</sup> / <sub>2</sub>	6	9
1 <sup>1</sup> / <sub>4</sub>	1 <sup>11</sup> / <sub>16</sub>	3	1/4	1 <sup>1</sup> / <sub>8</sub>	1 <sup>7</sup> / <sub>8</sub>	6 <sup>1</sup> / <sub>2</sub>	10
1 <sup>1</sup> / <sub>2</sub>	1 <sup>7</sup> / <sub>8</sub>	3 <sup>7</sup> / <sub>16</sub>	1/4	1 <sup>1</sup> / <sub>8</sub>	2 <sup>1</sup> / <sub>8</sub>	7	12
2	2	3 <sup>7</sup> / <sub>8</sub>	1/4	1 <sup>1</sup> / <sub>8</sub>	2 <sup>5</sup> / <sub>8</sub>	8	14

PROJECT INFORMATION		APPROVAL STAMP	
Project:		<input type="checkbox"/> Approved	
Address:		<input type="checkbox"/> Approved as noted	
Contractor:		<input type="checkbox"/> Not approved	
Engineer:		Remarks:	
Submittal Date:			
Notes 1:			
Notes 2:			