

## Fig. 152

### Screw Concrete Insert

**Size Range:** 3/8" through 7/8"

**Material:** Malleable iron

**Finish:** Plain

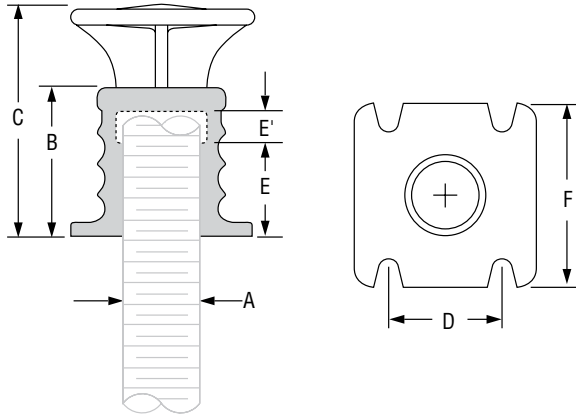
**Service:** Upper attachment for suspending pipe from a concrete ceiling where no lateral adjustment is required.

**Approvals:** UL, ULC Listed and FM Approved.

**Features:**

- Eliminates the necessity of drilling holes in wooden forms.
- Reduced overall height and four slots for nail attachment gives stability to the insert while the concrete is being poured.

**Ordering:** Specify rod size, figure number and name.



**FIG. 152: LOAD (LBS) • WEIGHT (LBS) • DIMENSIONS (IN)**

Rod Size A	Max Load ■	Weight	B	C	D	E	E'	F
3/8	730	0.31	1 1/2	2 1/4	1	1/2	3/8	1 5/8
1/2	1,130	0.32				5/8		
5/8	1,260	0.37	1 7/32	2 1/2	1 1/4	15/16	7/16	2
3/4	2,500	0.64	1 5/8			1	3/8	
7/8		0.71						

■ Based on insert only. Rating is subject to the condition that the concrete used is of sufficient strength to hold the insert.

PROJECT INFORMATION		APPROVAL STAMP	
Project:		<input type="checkbox"/> Approved	
Address:		<input type="checkbox"/> Approved as noted	
Contractor:		<input type="checkbox"/> Not approved	
Engineer:		Remarks:	
Submittal Date:			
Notes 1:			
Notes 2:			