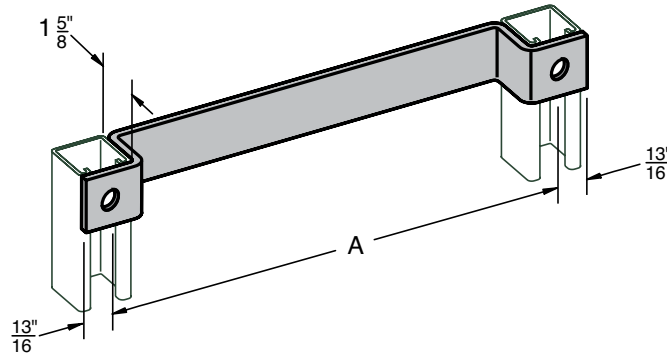


LADDER RUNG

<input type="checkbox"/> AS 2401	<input type="checkbox"/> GR, <input type="checkbox"/> HG
<input type="checkbox"/> AS 2402	<input type="checkbox"/> GR, <input type="checkbox"/> HG
<input type="checkbox"/> AS 2403	<input type="checkbox"/> GR, <input type="checkbox"/> HG

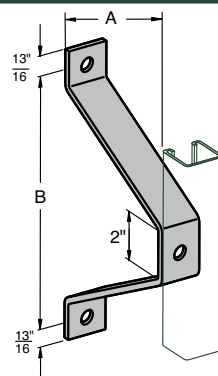


Catalog No.	A	Wt./100 Pcs.
AS 2401	12"	170
AS 2402	15"	202
AS 2403	18"	234

Std Pkg & Wt./100 pcs: See chart above.

WALL LADDER BRACKET

<input type="checkbox"/> AS 2404	<input type="checkbox"/> GR, <input type="checkbox"/> HG
<input type="checkbox"/> AS 2405	<input type="checkbox"/> GR, <input type="checkbox"/> HG
<input type="checkbox"/> AS 2406	<input type="checkbox"/> GR, <input type="checkbox"/> HG
<input type="checkbox"/> AS 2407	<input type="checkbox"/> GR, <input type="checkbox"/> HG
<input type="checkbox"/> AS 2408	<input type="checkbox"/> GR, <input type="checkbox"/> HG

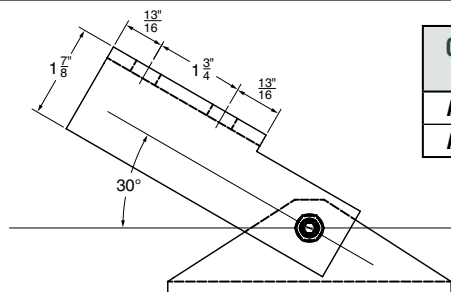
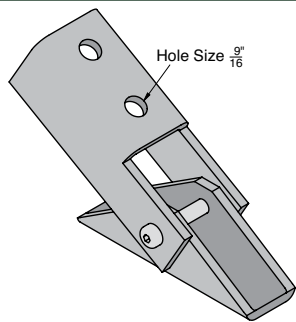


Catalog No.	A	B	Wt./100 Pcs.
AS 2404	2 3/8"	6"	110
AS 2405	4 3/8"	8"	164
AS 2406	6 3/8"	10"	200
AS 2407	8 3/8"	12"	253
AS 2408	10 3/8"	14"	328

Std Pkg 10 - Wt./100 pcs: See chart above.

<input type="checkbox"/> AS 9400	<input type="checkbox"/> AS 9401	<input type="checkbox"/> EG, <input type="checkbox"/> GR
----------------------------------	----------------------------------	--

ADJUSTABLE BASES



Catalog No.	Description	Std. Pkg.	Wt./100 Pcs.
AS 9400	Adjustable Base	10	307
AS 9401	Double Adjustable Base	5	497

Std Pkg & Wt./100 pcs: See chart above.

Page notes unless otherwise specified: 1/4" thick, 1 5/8" wide, holes 9/16" diameter, spaced 1 7/8" on center and 1 3/16" from end.

LEGEND:

GR: Powder Coated Supr-Green EG: Electro-Galvanized PG: Pre-Galvanized AL: Aluminum HG: Hot Dipped Galvanized PL: Plain SS: Stainless Steel ZTC: Zinc Trivalent Chromium
Stainless Steel (SS), Zinc Trivalent Chromium (ZTC) and Hot Dipped Galvanized (HG) are specialty finishes. Pricing is located in the Specialty Strut Section of the Anvil-Strut price book.

PROJECT INFORMATION

APPROVAL STAMP

Project:	<input type="checkbox"/> Approved
Address:	<input type="checkbox"/> Approved as noted
Contractor:	<input type="checkbox"/> Not approved
Engineer:	Remarks:
Submittal Date:	
Notes 1:	
Notes 2:	