

## Fig. 95

## C-Clamp with Locknut

**Size Range:**  $\frac{3}{8}$ " and  $\frac{1}{2}$ "

**Material:** Carbon Steel

**Finish:**  Plain or  Zinc Plated

**Service:** Designed for fastening flange of "W" and "M" beam. Bottom hole tapped to accommodate hanger rod.

**Approvals:** Complies with Federal Specification A-A-1192A (Type 23) WW-H-171-E (Type 23), ANSI/MSS SP-69 and MSS SP-58 (Type 23).

UL Listed (Sizes  $\frac{3}{8}$ "). FM Approved (Sizes  $\frac{3}{8}$ " -  $\frac{1}{2}$ ").

**Installation:** Follow recommended set screw torque values per MSS-SP-69.

**Ordering:** Specify rod size, figure number, name and finish.

**Note:** If a retaining clip is desired, you may specify either Fig. 89X or Fig. 89. For length and other ordering information, refer to Fig. 89X and Fig. 89.

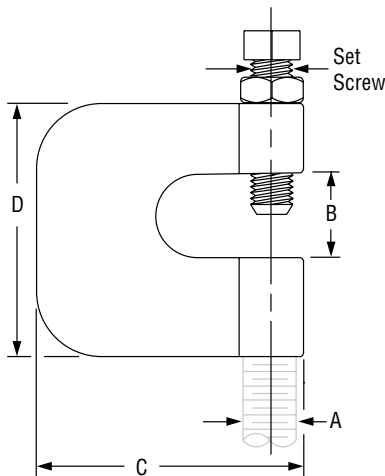


FIG. 95: LOAD (LBS) • WEIGHT (LBS) • DIMENSIONS (IN) • TORQUE (IN-LBS)								Rod Sized Retaining Clips	
Rod Size A	Set Screw Size	Torque Value	Max Load	B	C	D	Weight	Fig. 89	Fig. 89X
$\frac{3}{8}$	$\frac{3}{8}$	60	230	$\frac{3}{4}$	$2\frac{1}{4}$	$2\frac{3}{8}$	0.34	$\frac{3}{8}$	$\frac{3}{8}$
$\frac{1}{2}$	$\frac{1}{2}$	125	380				0.40		$\frac{1}{2}$

PROJECT INFORMATION		APPROVAL STAMP	
Project:		<input type="checkbox"/> Approved	
Address:		<input type="checkbox"/> Approved as noted	
Contractor:		<input type="checkbox"/> Not approved	
Engineer:		Remarks:	
Submittal Date:			
Notes 1:			
Notes 2:			