

Fig. 76 SD

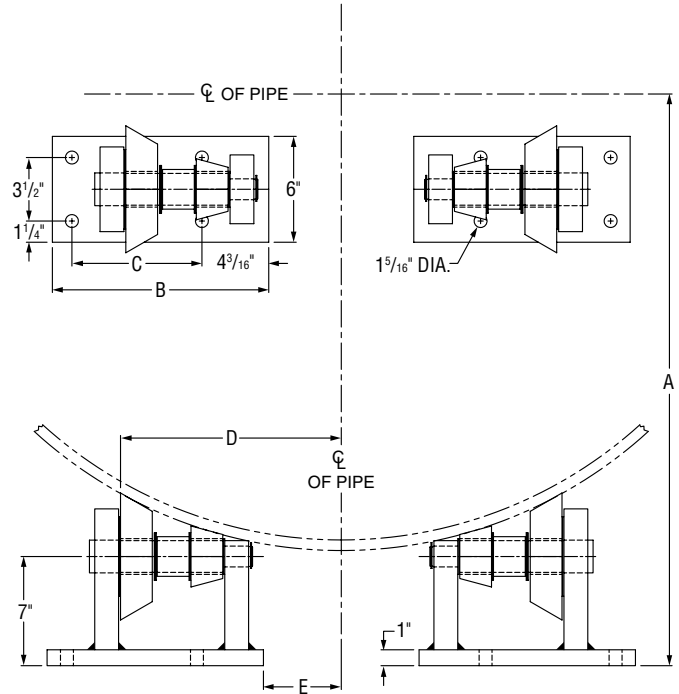
Fabricated Roller for Large Diameter Pipe

This product is a special design per customer requirements. Contact Anvil International for further information and how to order.

Installation: The two piece fabricated roller is designed for one of the two rollers on each side of the assembly to be in contact with the pipe.

FIG. 76SD: LOADS (LBS) • DIMENSIONS (IN)						
Steel Pipe Size	Max Load	A	B	C	D	E
30	60,000	23 ⁵ / ₈	13 ⁵ / ₈	8 ³ / ₁₆	8 ¹⁵ / ₁₆	0
36		26			9 ¹⁵ / ₁₆	1
42		28 ⁷ / ₈			10 ¹⁵ / ₁₆	2
46		30 ³ / ₄			11 ¹¹ / ₁₆	2 ³ / ₄
46	60,000	31 ³ / ₁₆	16 ¹ / ₄	10 ¹³ / ₁₆	12 ¹³ / ₁₆	1 ¹ / ₄
48		32 ¹ / ₁₆			13 ¹ / ₄	1 ¹¹ / ₁₆
54		34 ¹⁵ / ₁₆			14 ⁹ / ₁₆	2 ³ / ₄
60		37 ¹¹ / ₁₆			15 ¹ / ₂	3 ¹⁵ / ₁₆
66		40 ⁹ / ₁₆			16 ⁹ / ₁₆	5
72		43 ³ / ₈			17 ⁵ / ₈	6 ¹ / ₁₆

FIG. 76SD: LOADS (LBS) • DIMENSIONS (IN)						
C.I./D.I. Pipe Size	Max Load	A	B	C	D	E
30	60,000	24 ³ / ₁₆	13 ⁵ / ₈	8 ³ / ₁₆	9 ¹ / ₁₆	1/4
36		27 ³ / ₁₆			10 ³ / ₁₆	1 ³ / ₈
42		30 ¹ / ₈			11 ⁵ / ₁₆	2 ³ / ₈
48	60,000	33 ¹ / ₂	16 ¹ / ₄	10 ¹³ / ₁₆	13 ³ / ₁₆	2



PROJECT INFORMATION		APPROVAL STAMP	
Project:		<input type="checkbox"/> Approved	
Address:		<input type="checkbox"/> Approved as noted	
Contractor:		<input type="checkbox"/> Not approved	
Engineer:		Remarks:	
Submittal Date:			
Notes 1:			
Notes 2:			