
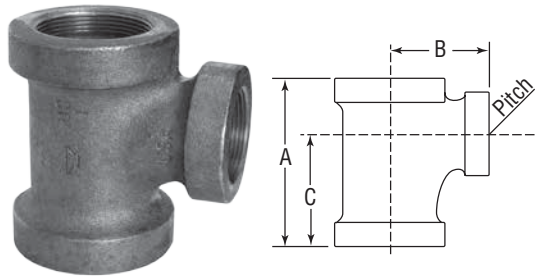

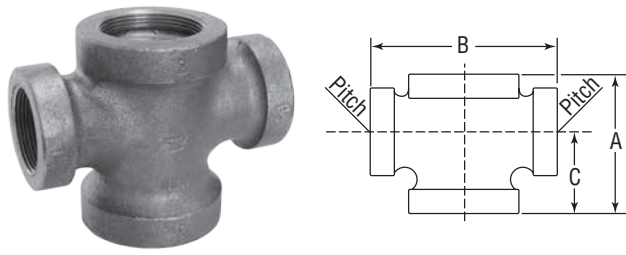

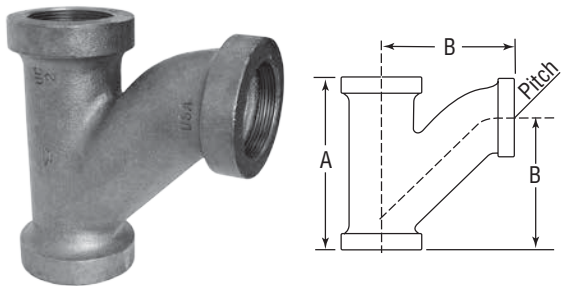


# CAST IRON DRAINAGE FITTINGS



 <b>FIGURE 727*</b> 90° Reducing Short Turn Y-Branch Tee Pattern	Size		A		B		C		Unit Weight	
	NPS	DN	in	mm	in	mm	in	mm	Black	
									lbs	kg
	2 x 2 x 1 1/2	50 x 50 x 40	4 5/8	117	2 15/16	75	2 11/16	68	4.16	1.89
	2 x 1 1/2 x 1 1/2	50 x 40 x 40	4 5/8	117	2 15/16	75	2 11/16	68	4.33	1.96

 <b>FIGURE 729*</b> Reducing Double Short Turn Tee	Size		A		B		C		Unit Weight	
	NPS	DN	in	mm	in	mm	in	mm	Black	
									lbs	kg
	2 x 1 1/2	50 x 40	4 5/8	117	5 7/8	149	2 11/16	68	5.82	2.64

 <b>FIGURE 730*</b> 90° Long Turn Y-Branch Tee Pattern	Size		A		B		Unit Weight			
	NPS	DN	in	mm	in	mm	Black		Galv.	
							lbs	kg	lbs	kg
	1 1/2	40	5 3/8	137	4 1/8	105	4.43	2.01	–	–
	2	50	7	178	5 1/4	133	6.69	3.03	6.69	3.03

\*Inlets tapped, pitched .25" (6mm) to the foot. Inlets of reducing fittings are always the smallest openings.

**Note:** See following page for pressure-temperature ratings.

PROJECT INFORMATION		APPROVAL STAMP	
Project:		<input type="checkbox"/> Approved	
Address:		<input type="checkbox"/> Approved as noted	
Contractor:		<input type="checkbox"/> Not approved	
Engineer:		Remarks:	
Submittal Date:			
Notes 1:			
Notes 2:			



Anvil drainage fittings have sufficient sweep to allow free unobstructed flow. They are made with a shoulder of the same diameter as the inside of the pipe, in accordance with ASME B16.12, Type 1. Thus, continuous passage is created when the pipe is screwed to the shoulder, leaving no place for solid matter to collect and clog in the pipe.

Drainage fittings with 90° bends are normally provided tapped with pitch of  $\frac{1}{4}$  inch to the foot in accordance with ASME B16.12.

NOTE: UNPITCHED 90° fittings are POA only.

Coated drainage fittings are available upon special order request with hot dip galvanized finish (see listed sizes).

## Standards and Specifications

Dimensions	Material	Galvanizing*	Thread	Pressure Rating
<b>CAST IRON DRAINAGE THREADED FITTINGS</b>				
ASME B16.12, Type 1	ASTM A-126 (A)	ASTM A-153	ASME B1.20.1	ASME B16.12

\* ASTM B 633, Type I, SC 4, may be supplied as alternate zinc coating per applicable ASME B16 product standard.

## General Assembly of Threaded Fittings

- 1) Inspect both male and female components prior to assembly.
  - Threads should be free from mechanical damage, dirt, chips and excess cutting oil.
  - Clean or replace components as necessary.
- 2) Application of thread sealant
  - Use a thread sealant that is fast drying, sets-up to a semi hard condition and is vibration resistant. Alternately, an anaerobic sealant may be utilized.
  - Thoroughly mix the thread sealant prior to application.
  - Apply a thick even coat to the male threads only. Best application is achieved with a brush stiff enough to force sealant down to the root of the threads.
- 3) Joint Makeup
  - For sizes up to and including 2" pipe, wrench tight makeup is considered three full turns past handtight. Handtight engagement for  $\frac{1}{2}$ " through 2" thread varies from  $4\frac{1}{2}$  turns to 5 turns.
  - For  $2\frac{1}{2}$ " through 4" sizes, wrench tight makeup is considered two full turns past handtight. Handtight engagement for  $2\frac{1}{2}$ " through 4" thread varies from  $5\frac{1}{2}$  turns to  $6\frac{3}{4}$  turns.