

ANVIL EPS
ENGINEERED PIPE SUPPORTS

No. PE-217-312
Page 1 of 4
Rev. 2
Date 3-1-10

PREP.BY

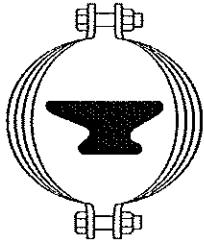
FJB

APP.
QAM

TITLE:

**INSTALLATION INSTRUCTIONS FOR
ANVIL FIG. 312N TAPERED PIN**

**INSTALLATION INSTRUCTIONS
FOR
ANVIL FIG. 312N TAPERED PIN**



ANVIL EPS
ENGINEERED PIPE SUPPORTS

No. PE-217-312
Page 2 of 4
Rev. 2
Date 3-1-10

TITLE:

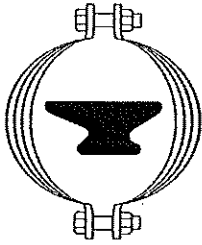
**INSTALLATION INSTRUCTIONS FOR
ANVIL FIG. 312N TAPERED PIN**

1.0 SCOPE

The following details the procedure to be followed for the proper installation of the Fig. 312N tapered pin.

2.0 INSTALLATION INSTRUCTIONS

- 2.1 Remove original pin, retainers, and spacer washers. Retain spacer washers for reinstallation or provide new spacer washers. Discard pin and retainers.
- 2.2 Remove slotted hex nut (2 hex nuts on 3/8 pin) and washer; loosen and remove sleeve from pin.
- 2.3 Align hole in spherical bearing with rear bracket lug holes. Install sleeve and spacer washers, insuring that sleeve is in full contact with holes in rear bracket lugs (see Figure 2).
- 2.4 Install pin and attach washer and slotted hex nut (1 hex nut on 3/8 pin).
- 2.5 Adjust pin sleeve assembly by turning slotted hex nut (1 hex nut on 3/8 pin) until spherical bearing will not slide along sleeve. Insure that the spherical bearing is centered, approximately, between rear bracket lugs.
- 2.6 Install cotter pin, slightly turning slotted hex nut in either direction, as required, to allow insertion of cotter pin in first available hole. For 3/8 pin, attach second hex nut and tighten against first hex nut as a locking mechanism.



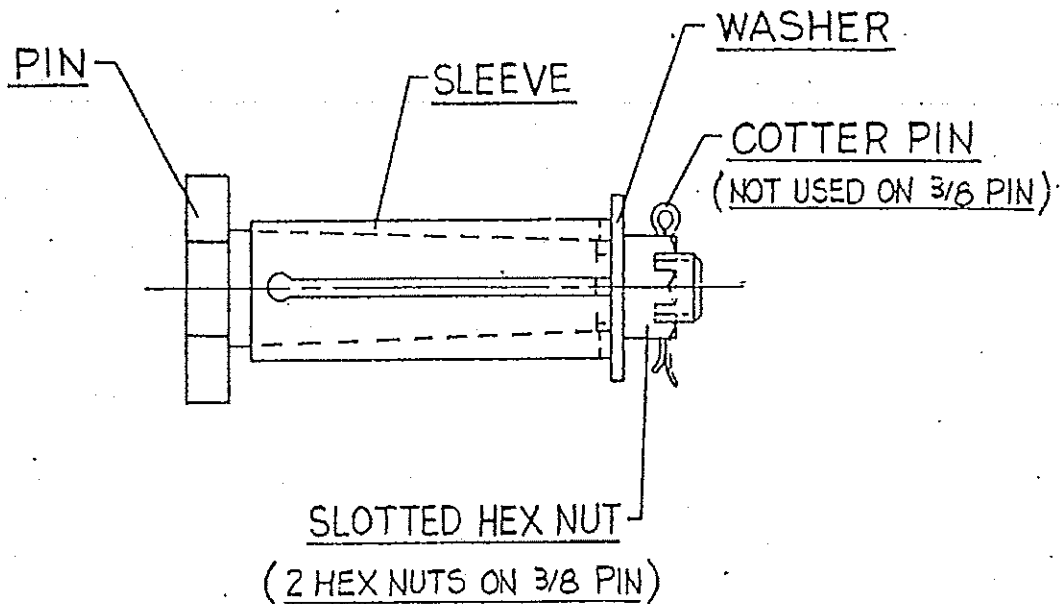
ANVIL EPS
ENGINEERED PIPE SUPPORTS

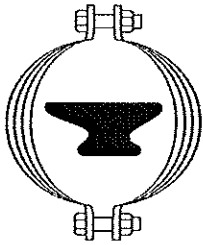
No. PE-217-312
Page 3 of 4
Rev. 2
Date 3-1-10

TITLE:

**INSTALLATION INSTRUCTIONS FOR
ANVIL FIG. 312N TAPERED PIN**

Figure 1





ANVIL EPS
ENGINEERED PIPE SUPPORTS

No. PE-217-312
Page 4 of 4
Rev. 2
Date 3-1-10

TITLE:

**INSTALLATION INSTRUCTIONS FOR
ANVIL FIG. 312N TAPERED PIN**

Figure 2

